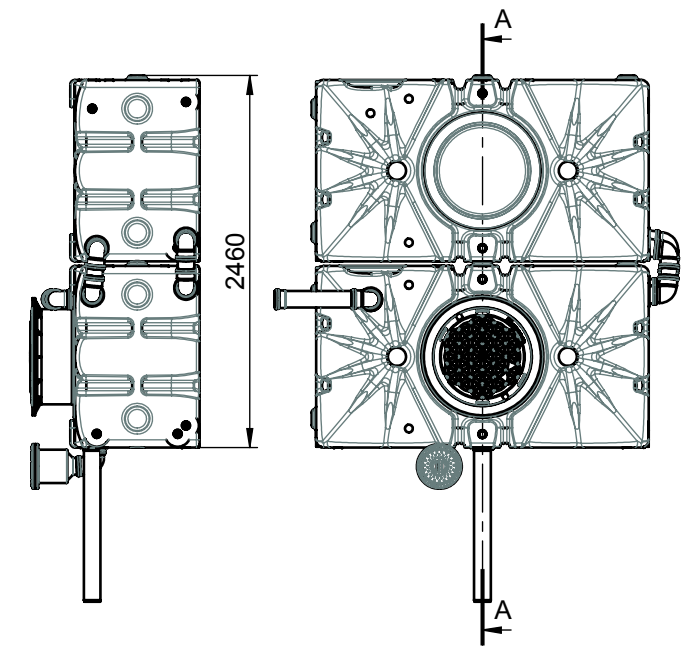
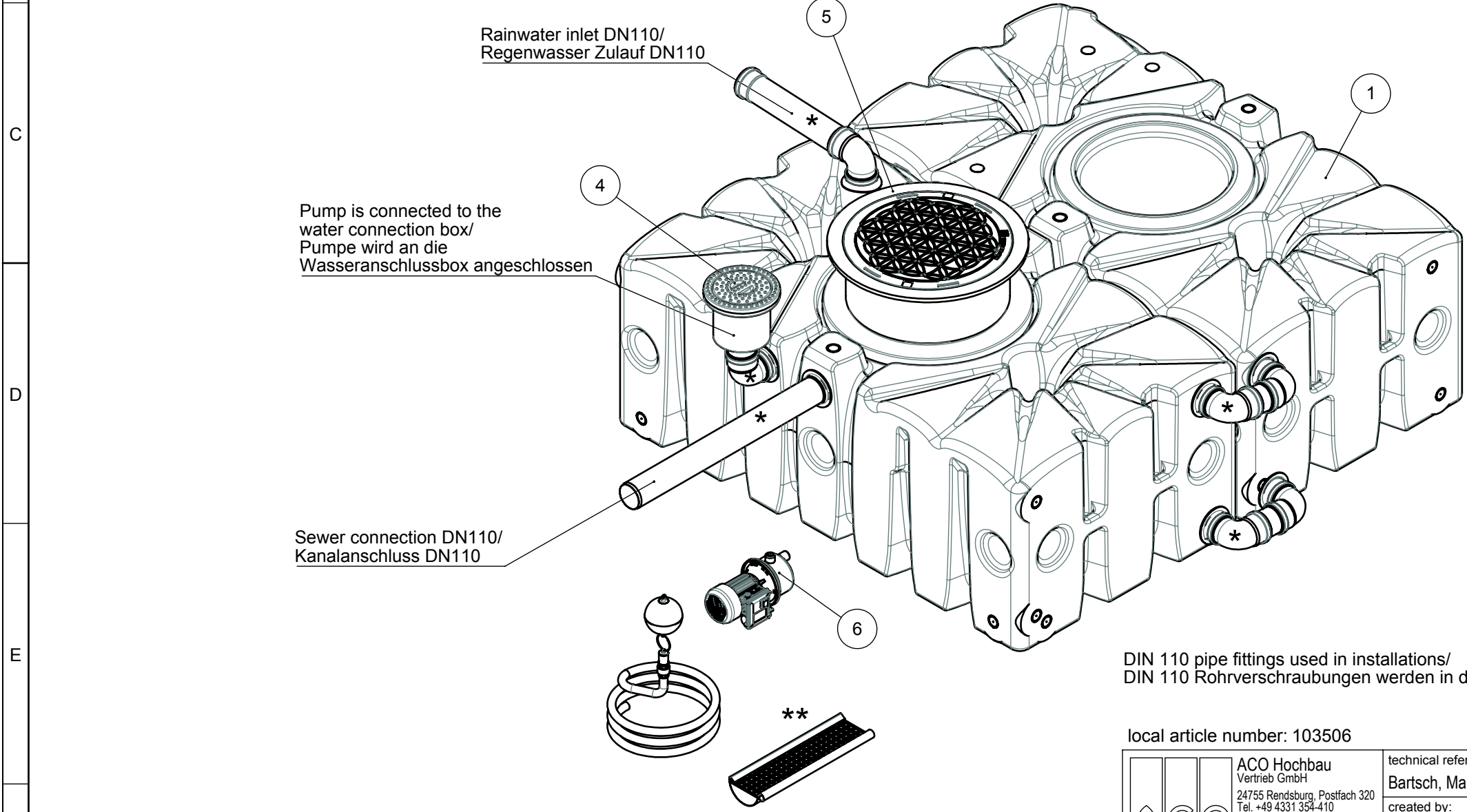
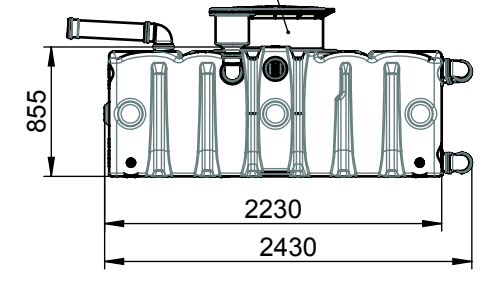


Pos.	Item name_Global	Item name_Local	Article No.	1026407/QTY.
1	Flat tank 4000l lying long side 1 extension	Flachtank 4000l liegend lange Seite 1 Erweiterung	103002	1
2	Overflow siphon with rhodent protection	Ueberlaufsisphon mit Tierschutz, gekuerzt	103201	1
3	Inlet flow turbulence reducer	Zulaufberuhiger	103211	1
4	Water connection box	Wasseranschlussbox	103206	1
5	Walkable cover, set standard	Begehbare Abdeckung, Set Standard	103100	1
6	Centrifugal JET pump, set	JET Kreiselpumpe, Set	103150	1

Height adjustable from 400 to 435 mm/  
Höhe einstellbar von 400 bis 435 mm.



DIN 110 pipe fittings used in installations/  
DIN 110 Rohrverschraubungen werden in den Installationen verwendet.

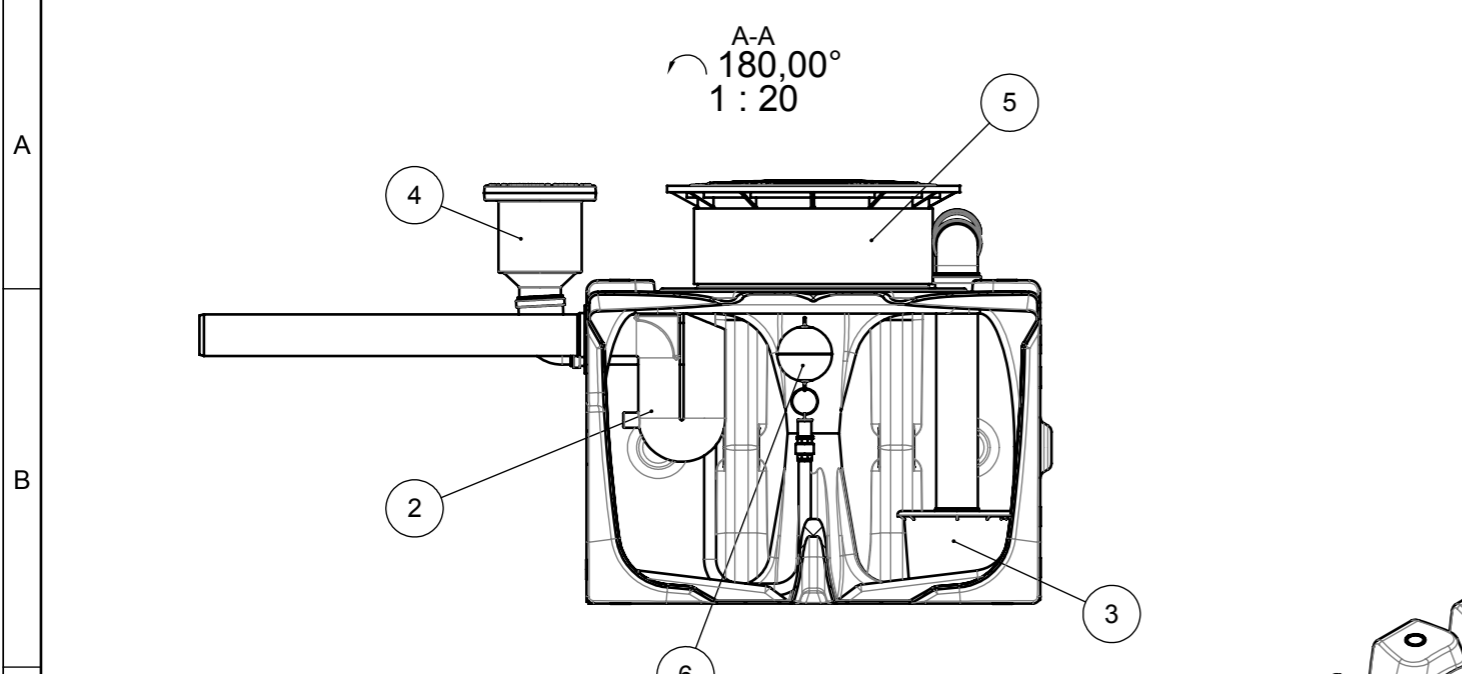
local article number: 103506

	ACO Hochbau Vertrieb GmbH 24755 Rendsburg, Postfach 320 Tel. +49 4331 354-410 Fax. +49 4331 354-360 www.aco-hochbau.de	technical reference: Bartsch, Martin	drawing-no.: <b>1026407-M</b>	index: <b>001</b>	documenttype: marketing drw.
		created by: mbartsch	reviewed by: mbartsch	projection:ISO-E	scale: 1:50
title: <b>ACO Rain4me</b> Complete product garden basic flat tank 4000l lying long side 1 extension Komplettoprodukt Garten basic Flachtank 4000l liegend lange Seite 1 Erweiterung					
The reproduction, distribution and utilization of this document as well as the communication of its contents to others without express authorization is prohibited. Offenders will be held liable for the payment of damages. All rights reserved in the event of the grant of a patent, utility model or design. Observe copyright by ISO 16016				release date: 2017-05-09 14:13	sheet: 1/1

\* The represented pipe sections are not included in scope of supply/  
Dargestellte Verrohrung ist nicht im Lieferumfang enthalten

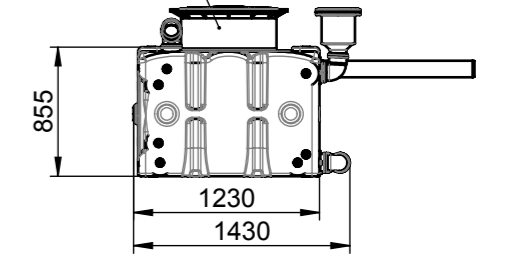
\*\* Only roof gutter grid (34 pieces / 20 m approx.) is included in the scope of supply/  
Gitterrost für Dachrinne (34 Stücke / 20 m ca.) im Lieferumfang enthalten

Pos.	Item name_Global	Item name_Local	Article No.	1026378/QTY.
1	Flat tank 4000l lying short side 1 extension	Flachtank 4000l liegend kurze Seite 1 Erweiterung	103022	1
2	Overflow siphon with rhodent protection	Ueberlaufsisphon mit Tierschutz, gekuerzt	103201	1
3	Inlet flow turbulence reducer	Zulaufberuhiger	103211	1
4	Water connection box	Wasseranschlussbox	103206	1
5	Walkable cover, set standard	Begehbare Abdeckung, Set Standard	103100	1
6	Centrifugal JET pump, set	JET Kreiselpumpe, Set	103150	1

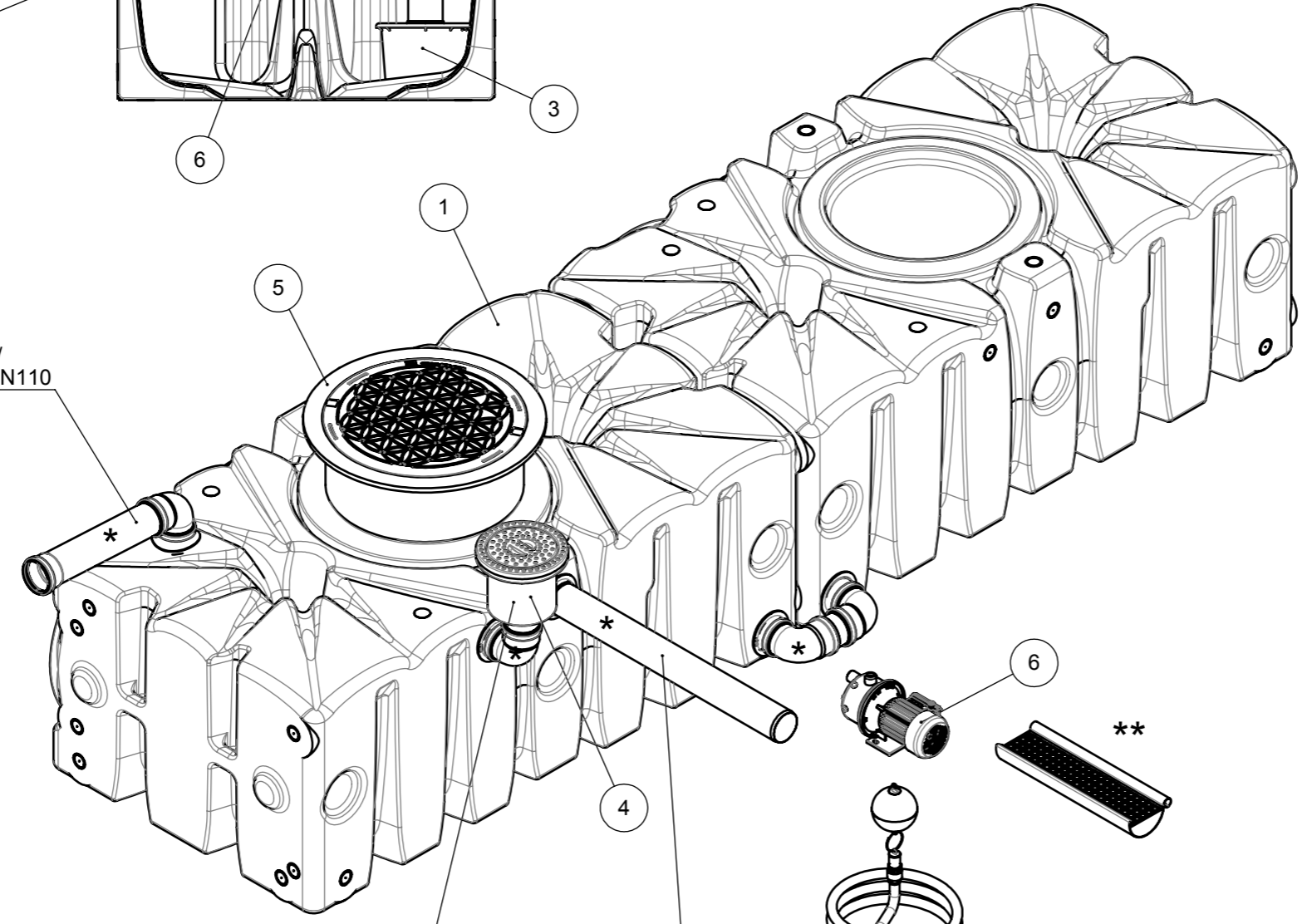


SCALE 1 : 20

Height adjustable from 400 to 435 mm/  
Hoehe einstellbar von 400 bis 435 mm.

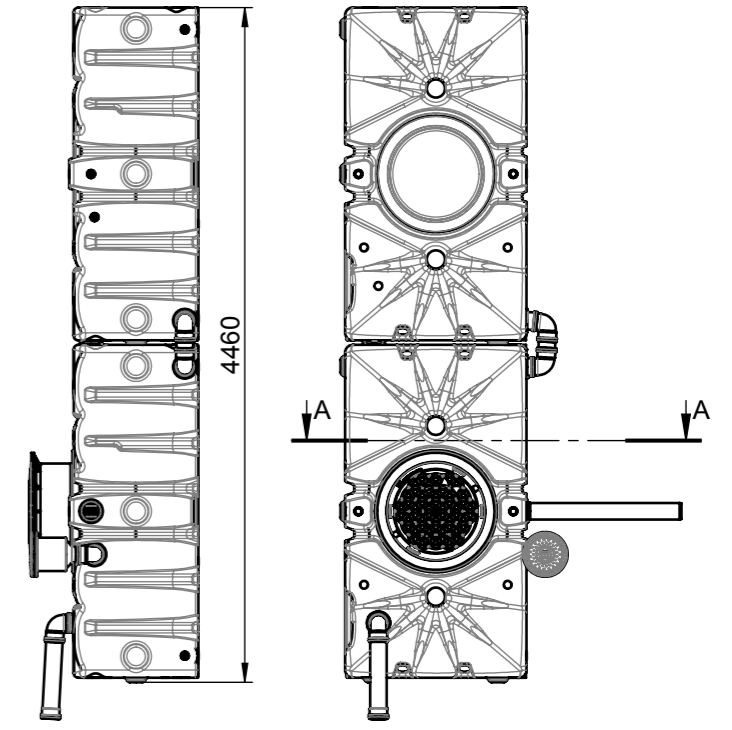


Rainwater inlet DN110/  
Regenwasser Zulauf DN110



Pump is connected to the  
water connection box/  
Pumpe wird an die  
Wasseranschlussbox angeschlossen

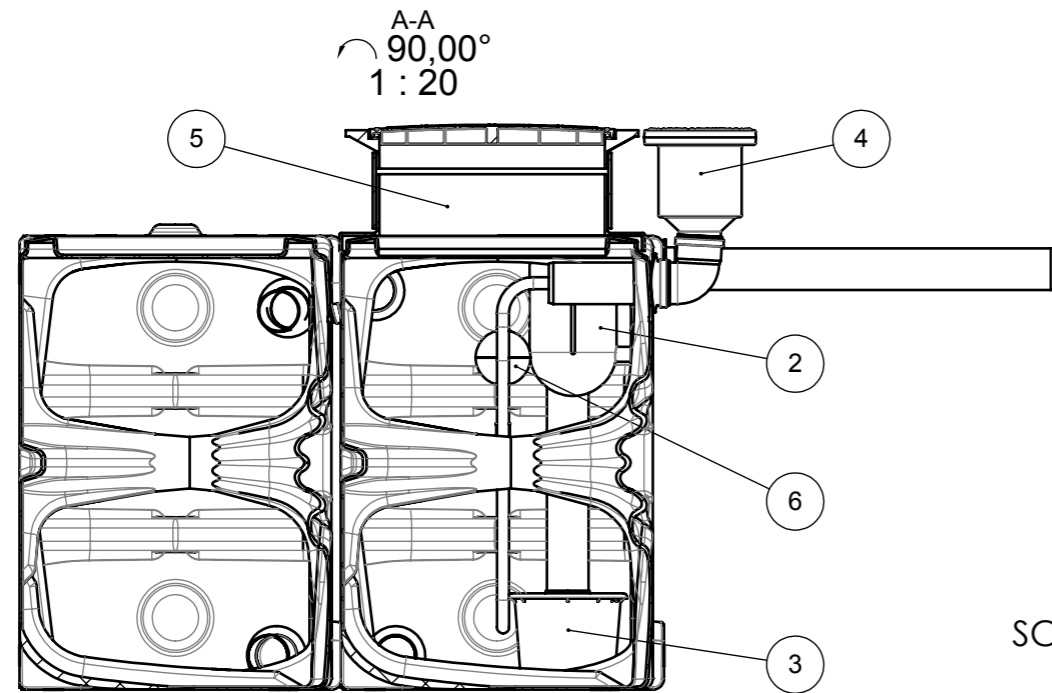
Sewer connection DN110/  
Kanalanschluss DN110



DIN 110 pipe fittings used in installations/  
DIN 110 Rohrverschraubungen werden in den Installationen verwendet.  
local article number: 103501

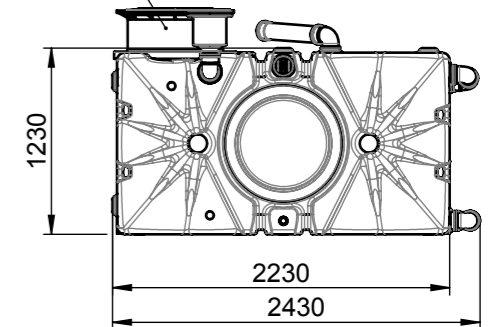
\* The represented pipe sections are not included in scope of supply/  
Dargestellte Verrohrung ist nicht im Lieferumfang enthalten  
\*\* Only roof gutter grid (34 pieces / 20 m approx.) is included in the scope of supply/  
Gitterrost für Dachrinne (34 Stücke / 20 m ca.) im Lieferumfang enthalten

<p>ACO Hochbau Vertrieb GmbH 24755 Rendsburg, Postfach 320 Tel. +49 4331 354-410 Fax. +49 4331 354-360 www.aco-hochbau.de</p>	<p>technical reference: Bartsch, Martin</p>	<p>drawing-no.: <b>1026378-M</b></p>	<p>index: <b>001</b></p>	<p>documenttype: marketing drw.</p>
	<p>created by: mbartsch</p>	<p>reviewed by: mbartsch</p>	<p>projection:ISO-E </p>	<p>scale: 1:50</p>
<p>title: ACO Rain4me Complete product garden basic flat tank 4000l lying short side 1 extension Komplettprodukt Garten basic Flachtank 4000l liegend kurze Seite 1 Erweiterung</p>			<p>release date: 2017-05-09 14:27</p>	<p>sheet: 1/1</p>
<p>The reproduction, distribution and utilization of this document as well as the communication of its contents to others without express authorization is prohibited. Offenders will be held liable for the payment of damages. All rights reserved in the event of the grant of a patent, utility model or design. Observe copyright by ISO 16016</p>				

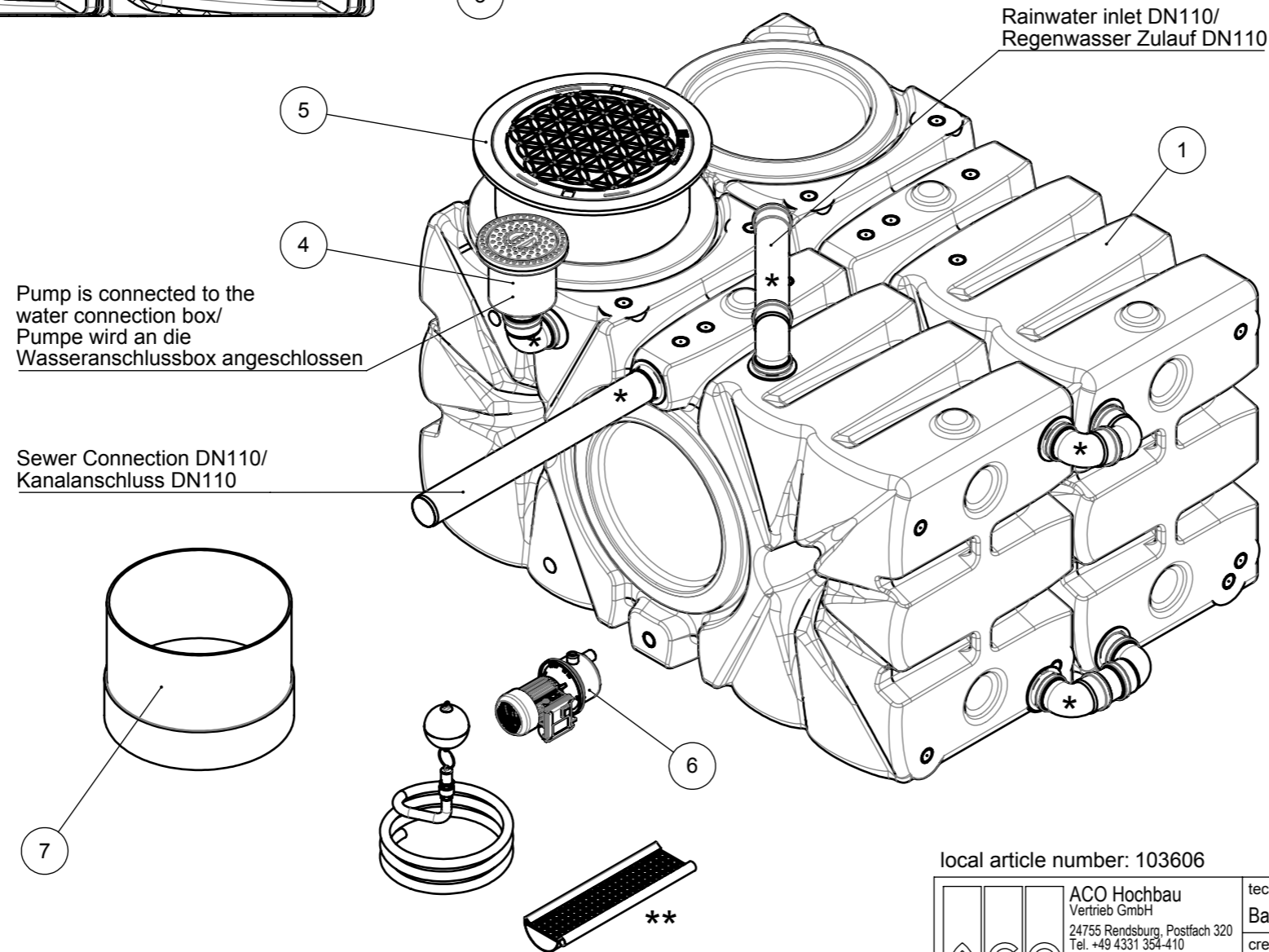


Pos.	Item name_Global	Item name_Local	Article No.	1026412/QTY.
1	Flat tank 4000l standing long side 1 extension	Flachtank 4000l stehend lange Seite 1 Erweiterung	103032	1
2	Overflow siphon with rhodent protection	Ueberlaufsiphon mit Tierschutz, gekuerzt	103201	1
3	Inlet flow turbulence reducer	Zulaufberuhiger	103211	1
4	Water connection box	Wasseranschlussbox	103206	1
5	Walkable cover, set standard	Begehbare Abdeckung, Set Standard	103100	1
6	Centrifugal JET pump, set	JET Kreiselpumpe, Set	103150	1
7	Dome extension DN 600	Domverlaengerung DN 600	103103	1

Height adjustable from 400 to 435 mm/  
Hoehe einstellbar von 400 bis 435 mm.

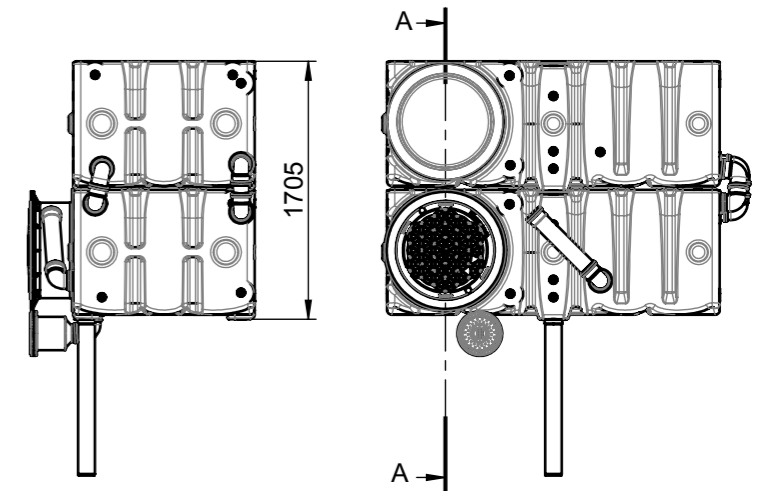


SCALE 1 : 20



Pump is connected to the  
water connection box/  
Pumpe wird an die  
Wasseranschlussbox angeschlossen

Sewer Connection DN110/  
Kanalanschluss DN110



local article number: 103606

	ACO Hochbau Vertrieb GmbH 24755 Rendsburg, Postfach 320 Tel. +49 4331 354-410 Fax. +49 4331 354-360 www.aco-hochbau.de	technical reference: Bartsch, Martin	drawing-no.: <b>1026412-M</b>	index: <b>001</b>	documenttype: marketing drw.
		created by: mbartsch	reviewed by: mbartsch	projection:ISO-E 	scale: 1:50
title: <b>ACO Rain4me</b> Complete product garden basic flat tank 4000l standing long side 1 extension Komplettoprodukt Garten basic Flachtank 4000l stehend lange Seite 1 Erweiterung					
The reproduction, distribution and utilization of this document as well as the communication of its contents to others without express authorization is prohibited. Offenders will be held liable for the payment of damages. All rights reserved in the event of the grant of a patent, utility model or design. Observe copyright by ISO 16016				release date: 2017-05-09 14:40	sheet: 1/1

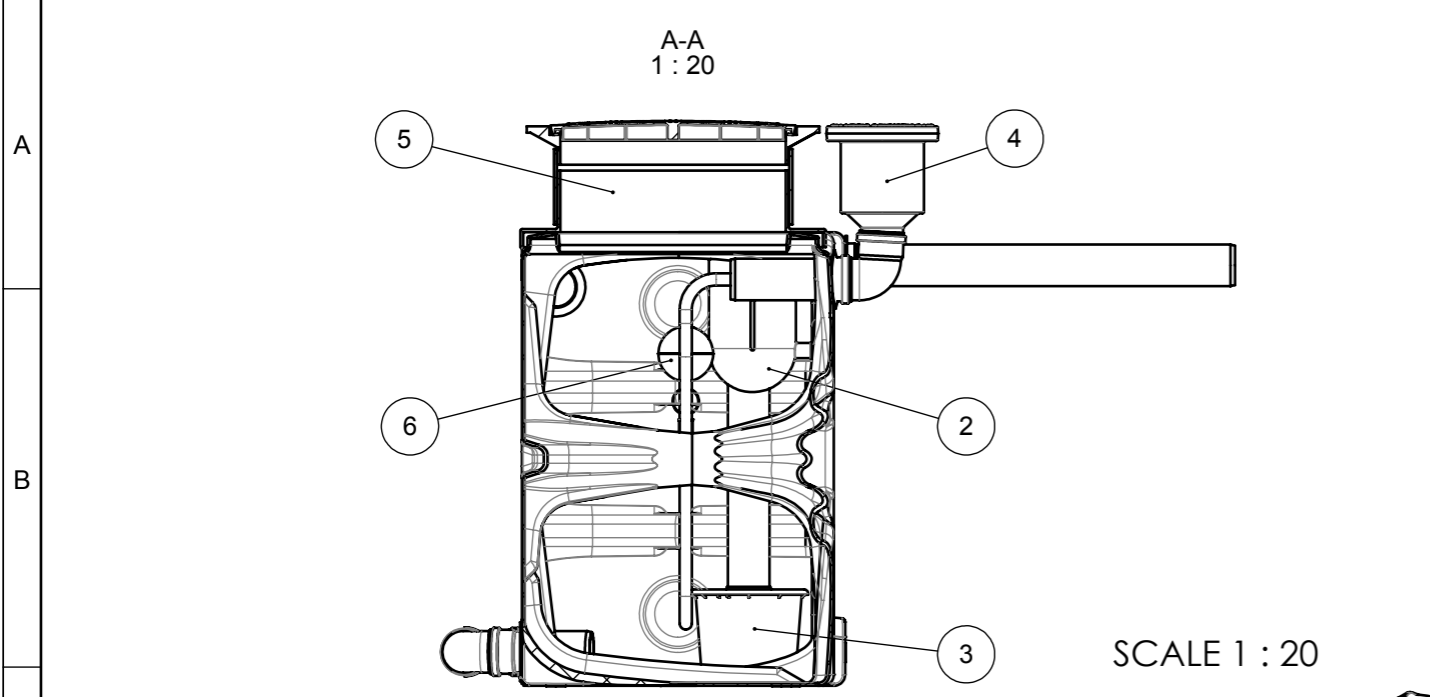
\* The represented pipe sections are not included in scope of supply/  
Dargestellte Verrohrung ist nicht im Lieferumfang enthalten

\*\* Only roof gutter grid (34 pieces / 20 m approx.) is included in the scope of supply/  
Gitterrost für Dachrinne (34 Stücke / 20 m ca.) im Lieferumfang enthalten

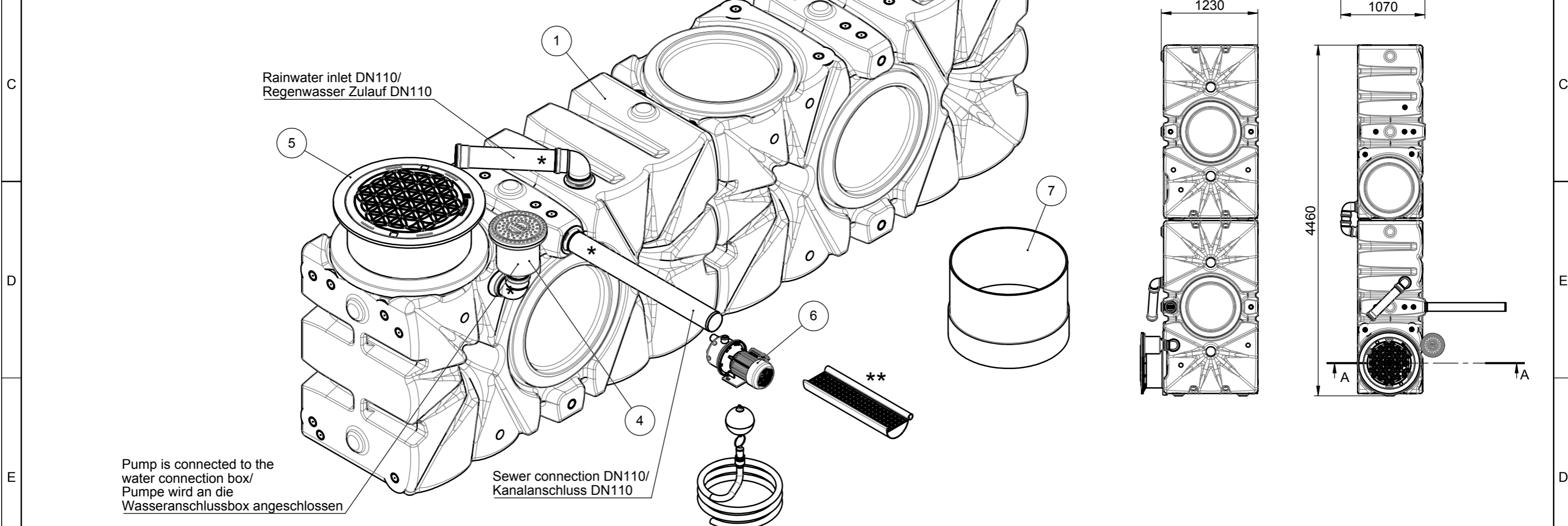
DIN 110 pipe fittings used in installations/  
DIN 110 Rohrverschraubungen werden in  
den Installationen verwendet.

S:\eng\2017\1026412-M\1026412-M\_Version 1.4

Pos.	Item name_Global	Item name_Local	Article No.	1026409/QTY.
1	Flat tank 4000l standing short side 1 extension	Flachtank 4000l stehend kurze Seite 1 Erweiterung	103042	1
2	Overflow siphon with rhodent protection	Ueberlaufsiphon mit Tierschutz, gekuerzt	103201	1
3	Inlet flow turbulence reducer	Zulaufberuhiger	103211	1
4	Water connection box	Wasseranschlussbox	103206	1
5	Walkable cover, set standard	Begehbare Abdeckung, Set Standard	103100	1
6	Centrifugal JET pump, set	JET Kreiselpumpe, Set	103150	1
7	Dome extension DN 600	Domverlaengerung DN 600	103103	1



Height adjustable from 400 to 435 mm/  
Höhe einstellbar von 400 bis 435 mm.



Pump is connected to the water connection box/  
Pumpe wird an die Wasseranschlussbox angeschlossen

Sewer connection DN110/  
Kanalanschluss DN110

local article number: 103601

	ACO Hochbau Vertrieb GmbH 24755 Rendsburg, Postfach 320 Tel. +49 4331 354-410 Fax. +49 4331 354-360 www.aco-hochbau.de	technical reference: Bartsch, Martin	drawing-no.: <b>1026409-M</b>	index: <b>001</b>	documenttype: marketing drw.
		created by: mbartsch	reviewed by: mbartsch	projection:ISO-E	scale: 1:50

title:  
ACO Rain4me  
Complete product garden basic flat tank 4000l standing short side 1 extension  
Komplettprodukt Garten basic Flachtank 4000l stehend kurze Seite 1 Erweiterung

**serial-released**

The reproduction, distribution and utilization of this document as well as the communication of its contents to others without express authorization is prohibited. Offenders will be held liable for the payment of damages. All rights reserved in the event of the grant of a patent, utility model or design. Observe copyright by ISO 16016

release date:  
2017-05-09 14:49

sheet:  
1/1

\* The represented pipe sections are not included in scope of supply/  
Dargestellte Verrohrung ist nicht im Lieferumfang enthalten

\*\* Only roof gutter grid (34 pieces / 20 m approx.) is included in the scope of supply/  
Gitterrost für Dachrinne (34 Stücke / 20 m ca.) im Lieferumfang enthalten

DIN 110 pipe fittings used in installations/  
DIN 110 Rohrverschraubungen werden in den Installationen verwendet.