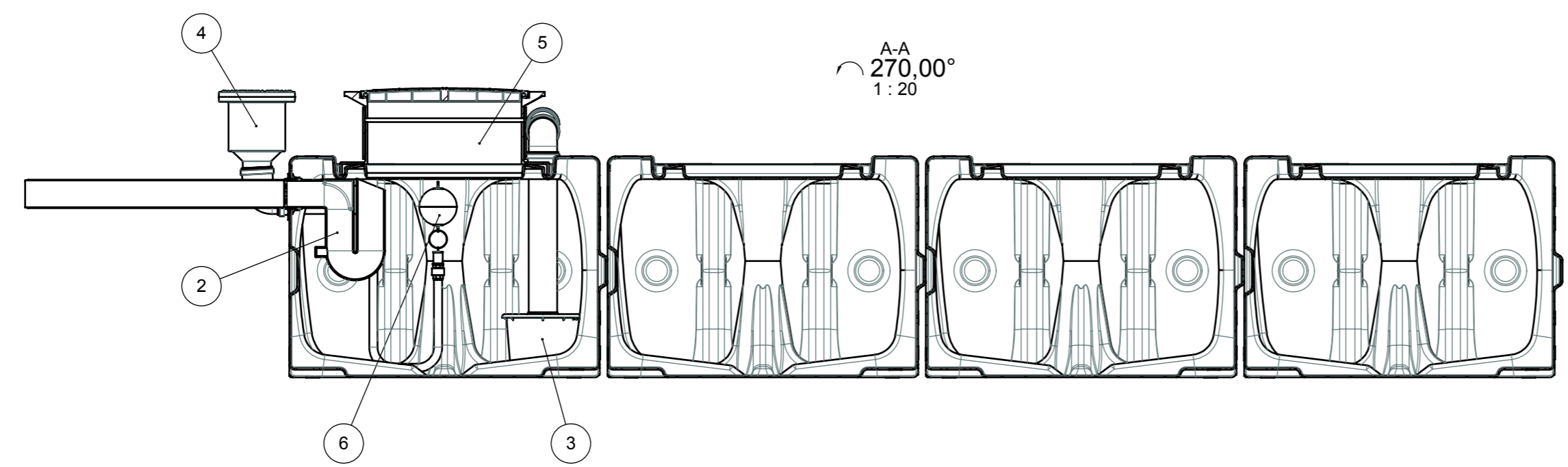
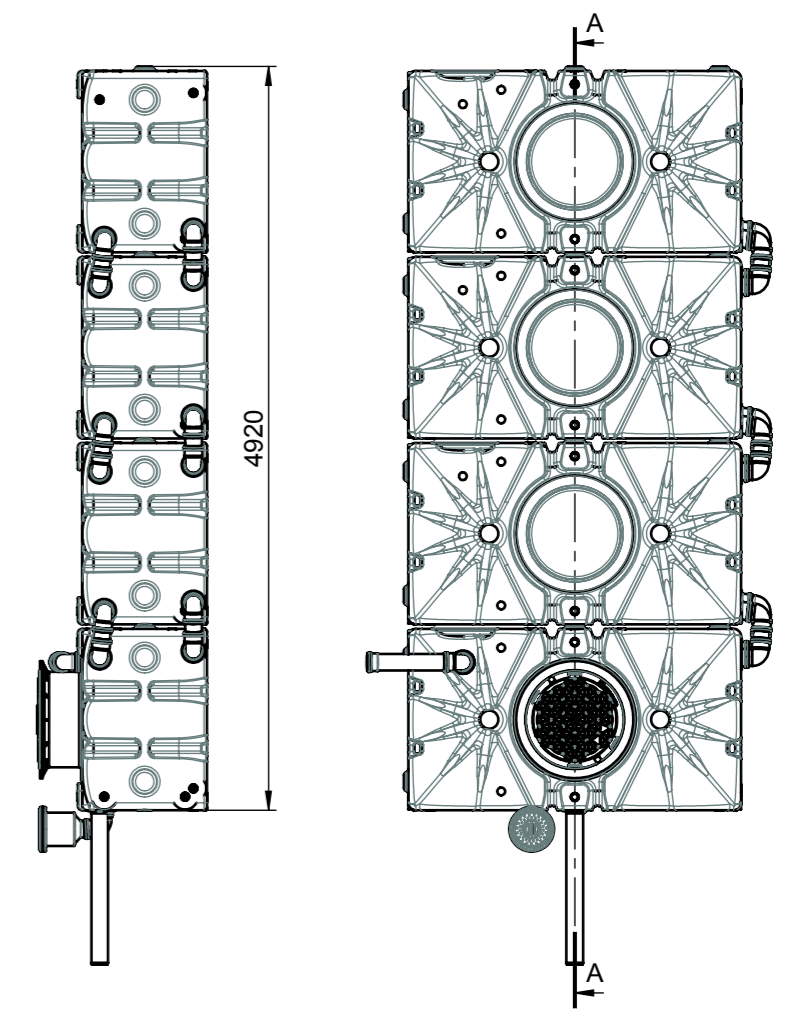
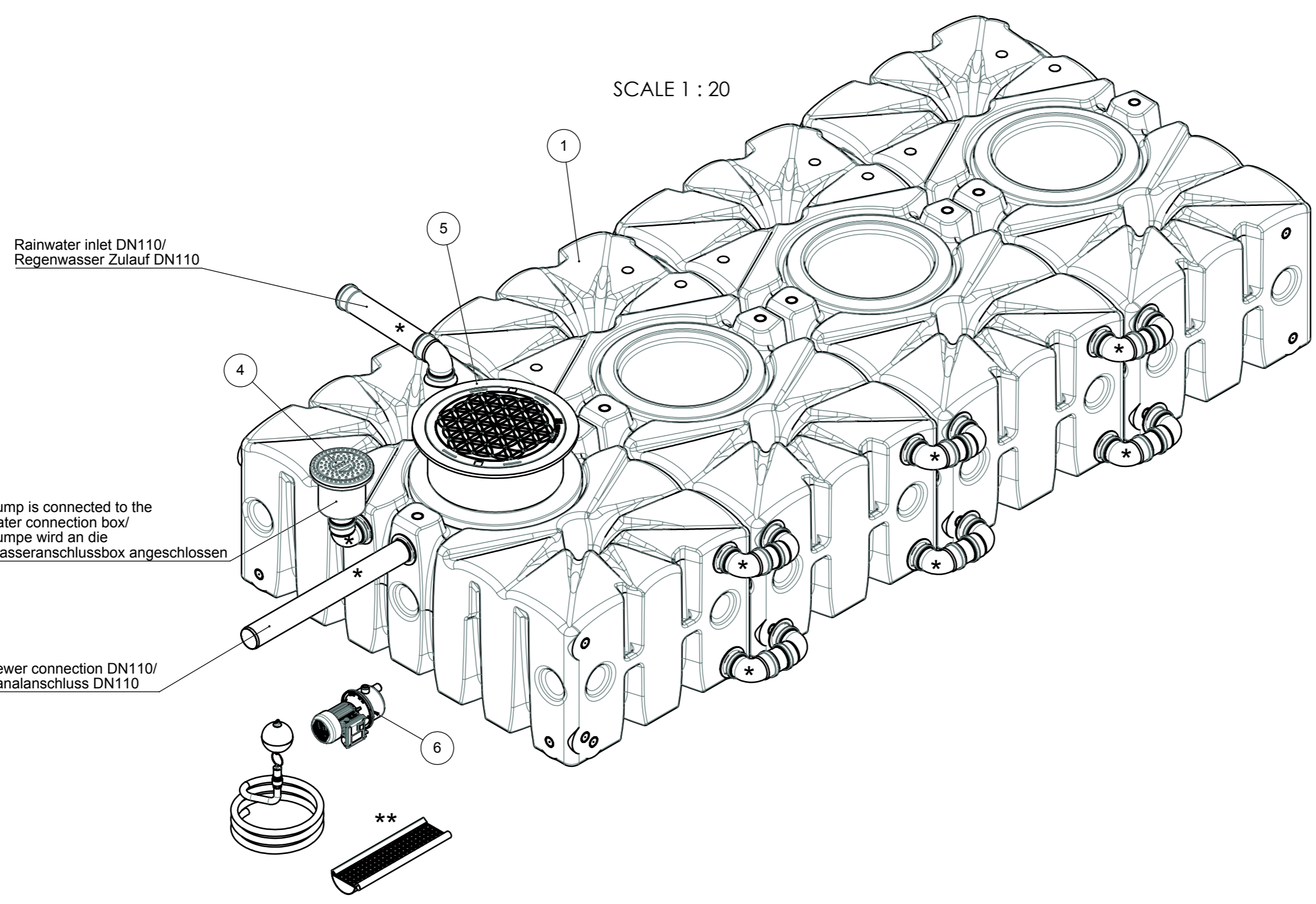
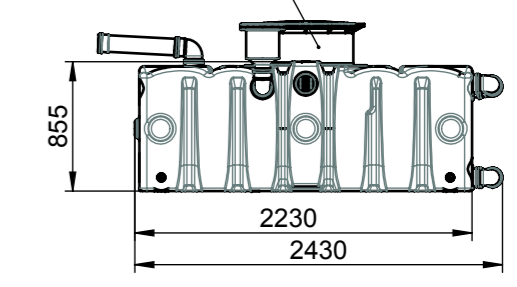


Pos.	Item name_Global	Item name_Local	Article No.	1027682/QTY.
1	Flat tank 8000l lying long side 3 extensions	Flachtank 8000l liegend lange Seite 3 Erweiterungen	103004	1
2	Overflow siphon with rodent protection	Ueberlaufsisphon mit Tierschutz, gekuerzt	103201	1
3	Inlet flow turbulence reducer	Zulaufberuhiger	103211	1
4	Water connection box	Wasseranschlussbox	103206	1
5	Walkable cover, set standard	Begehbare Abdeckung, Set Standard	103100	1
6	Centrifugal JET pump, set	JET Kreiselpumpe, Set	103150	1



Height adjustable from 400 to 435 mm/  
Höhe einstellbar von 400 bis 435 mm.



DIN 110 pipe fittings used in installations/  
DIN 110 Rohrverschraubungen werden in den Installationen verwendet.

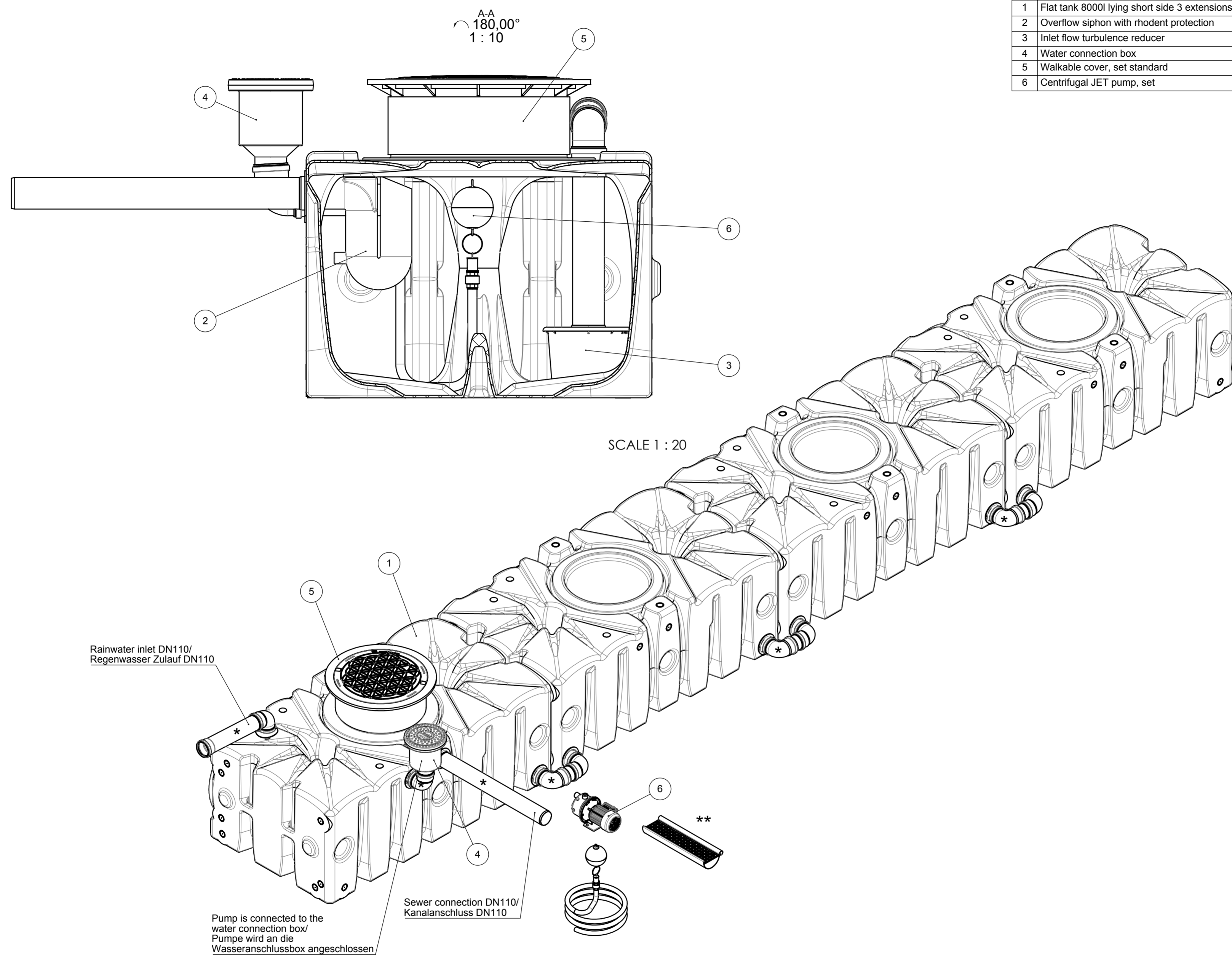
\* The represented pipe sections are not included in scope of supply/  
Dargestellte Verrohrung ist nicht im Lieferumfang enthalten

\*\* Only roof gutter grid (34 pieces / 20 m approx.) is included in the scope of supply/  
Gitterrost für Dachrinne (34 Stücke / 20 m ca.) im Lieferumfang enthalten

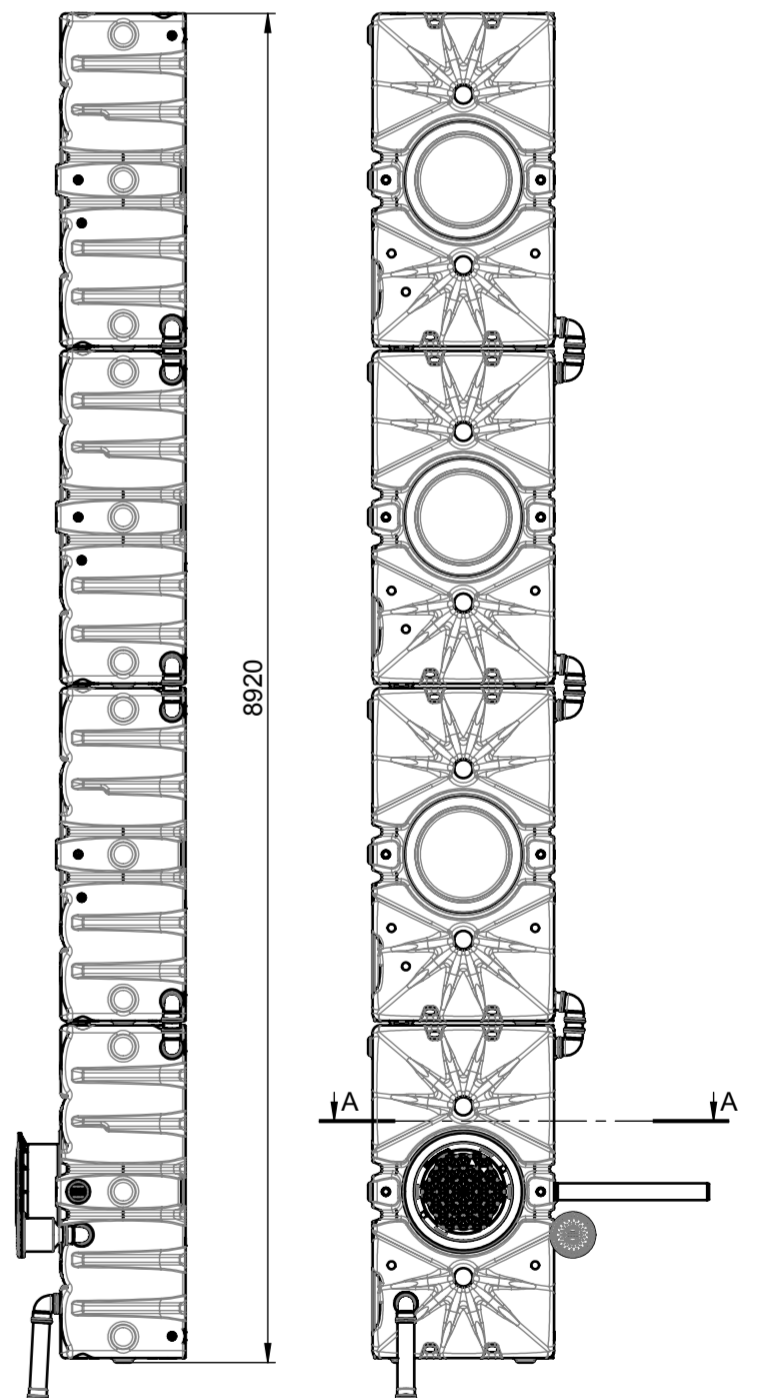
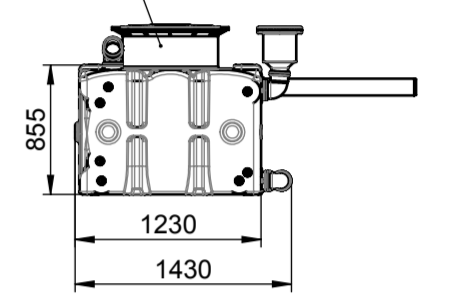
local article number: 103508

	ACO Hochbau Vertrieb GmbH 24755 Rendsburg, Postfach 320 Tel. +49 4331 354-410 Fax +49 4331 354-300 www.aco-hochbau.de	technical reference: Bartsch, Martin	drawing-no.: <b>1027682-M</b>	index: <b>001</b>	documenttype: marketing drw.
	created by: mbartsch	reviewed by: mbartsch		scale: 1:50	serial-released
title: ACO Rain4me Complete product garden basic flat tank 8000l lying long side 3 extensions Kompletprodukt Garten basic Flachtank 8000l liegend lange Seite 3 Erweiterungen					
The reproduction, distribution and utilization of this document as well as the communication of its contents to others without express authorization is prohibited. Offenders will be held liable for the payment of damages. All rights reserved in the event of the grant of a patent, utility model or design. Observe copyright by ISO 16016			release date: 2017-05-09 14:13	sheet: 1/1	

Pos.	Item name_Global	Item name_Local	Article No.	1027666/QTY.
1	Flat tank 8000l lying short side 3 extensions	Flachtank 8000l liegend kurze Seite 3 Erweiterungen	103024	1
2	Overflow siphon with rhodent protection	Ueberlaufsisphon mit Tierschutz, gekuerzt	103201	1
3	Inlet flow turbulence reducer	Zulaufberuhiger	103211	1
4	Water connection box	Wasseranschlussbox	103206	1
5	Walkable cover, set standard	Begehbare Abdeckung, Set Standard	103100	1
6	Centrifugal JET pump, set	JET Kreiselpumpe, Set	103150	1



Height adjustable from 400 to 435 mm/  
Höhe einstellbar von 400 bis 435 mm.



DIN 110 pipe fittings used in installations/  
DIN 110 Rohrverschraubungen werden in den Installationen verwendet.

\* The represented pipe sections are not included in scope of supply/  
Dargestellte Verrohrung ist nicht im Lieferumfang enthalten

\*\* Only roof gutter grid (34 pieces / 20 m approx.) is included in the scope of supply/  
Gitterrost für Dachrinne (34 Stücke / 20 m ca.) im Lieferumfang enthalten

local article number: 103503

ACO ACO Hochbau Vertrieb GmbH 24755 Rendsburg, Postfach 320 Tel. +49 4331 354-410 Fax +49 4331 354-300 www.aco-hochbau.de	technical reference: Bartsch, Martin	drawing-no.: <b>1027666-M</b>	index: <b>001</b>	documenttype: marketing drw.
	created by: mbartsch	reviewed by: mbartsch	projection:ISO-E	scale: 1:50

title:  
ACO Rain4me  
Complete product garden basic flat tank 8000l lying short side 3 extensions  
Komplettprodukt Garten basic Flachtank 8000l liegend kurze Seite 3 Erweiterungen

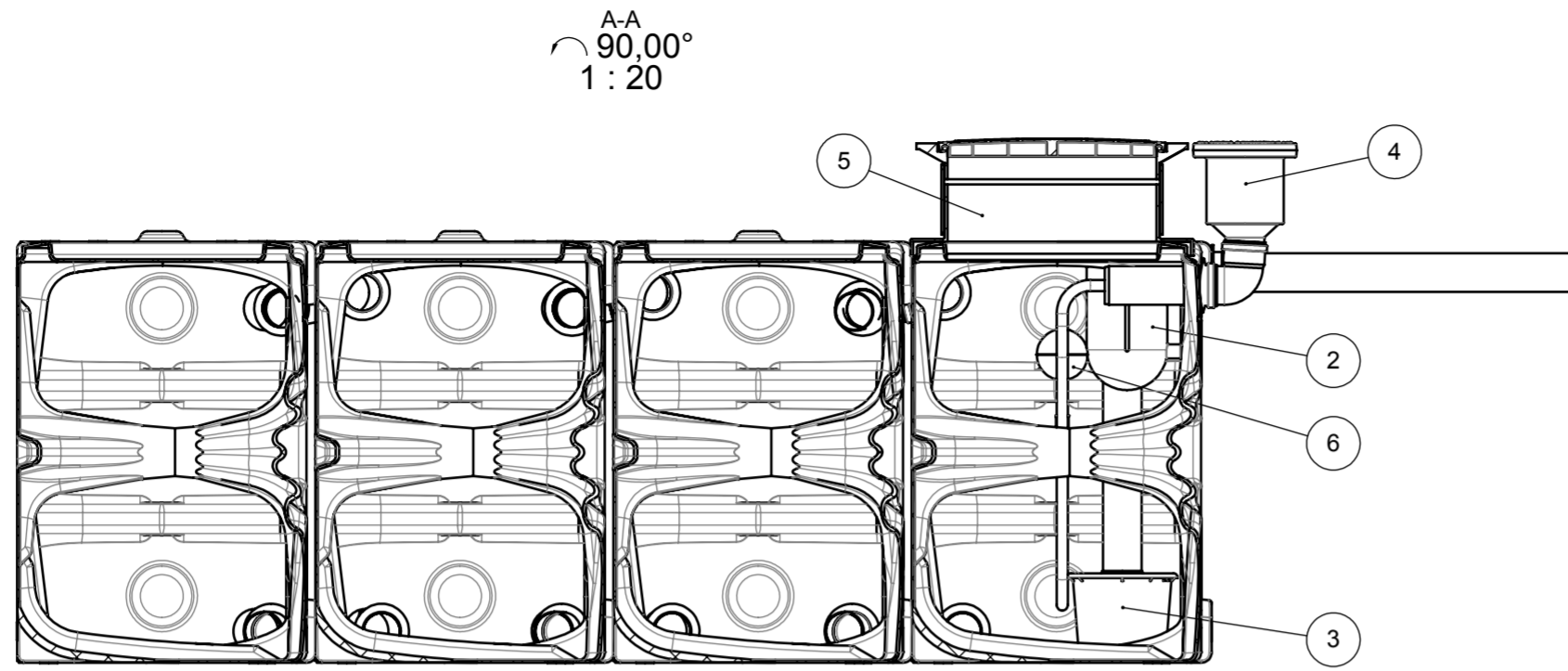
The reproduction, distribution and utilization of this document as well as the communication of its contents to others without express authorization is prohibited. Offenders will be held liable for the payment of damages. All rights reserved in the event of the grant of a patent, utility model or design. Observe copyright by ISO 16016

release date:  
2017-05-09 14:27

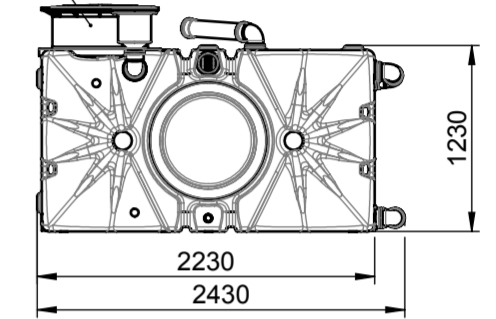
sheet:  
1/1

serial-released

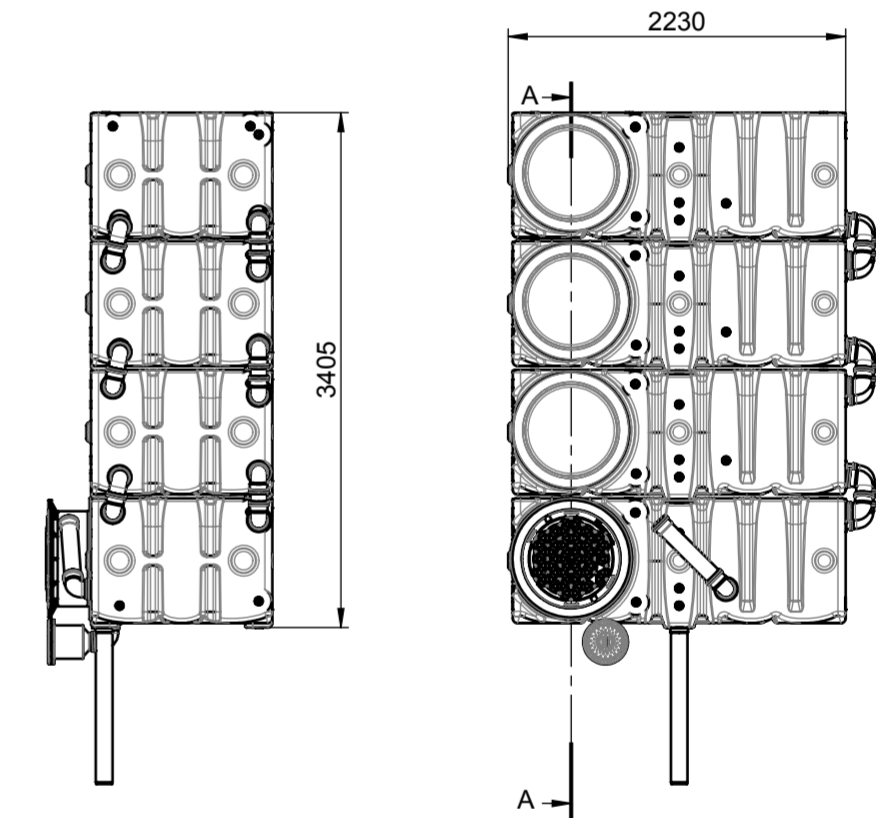
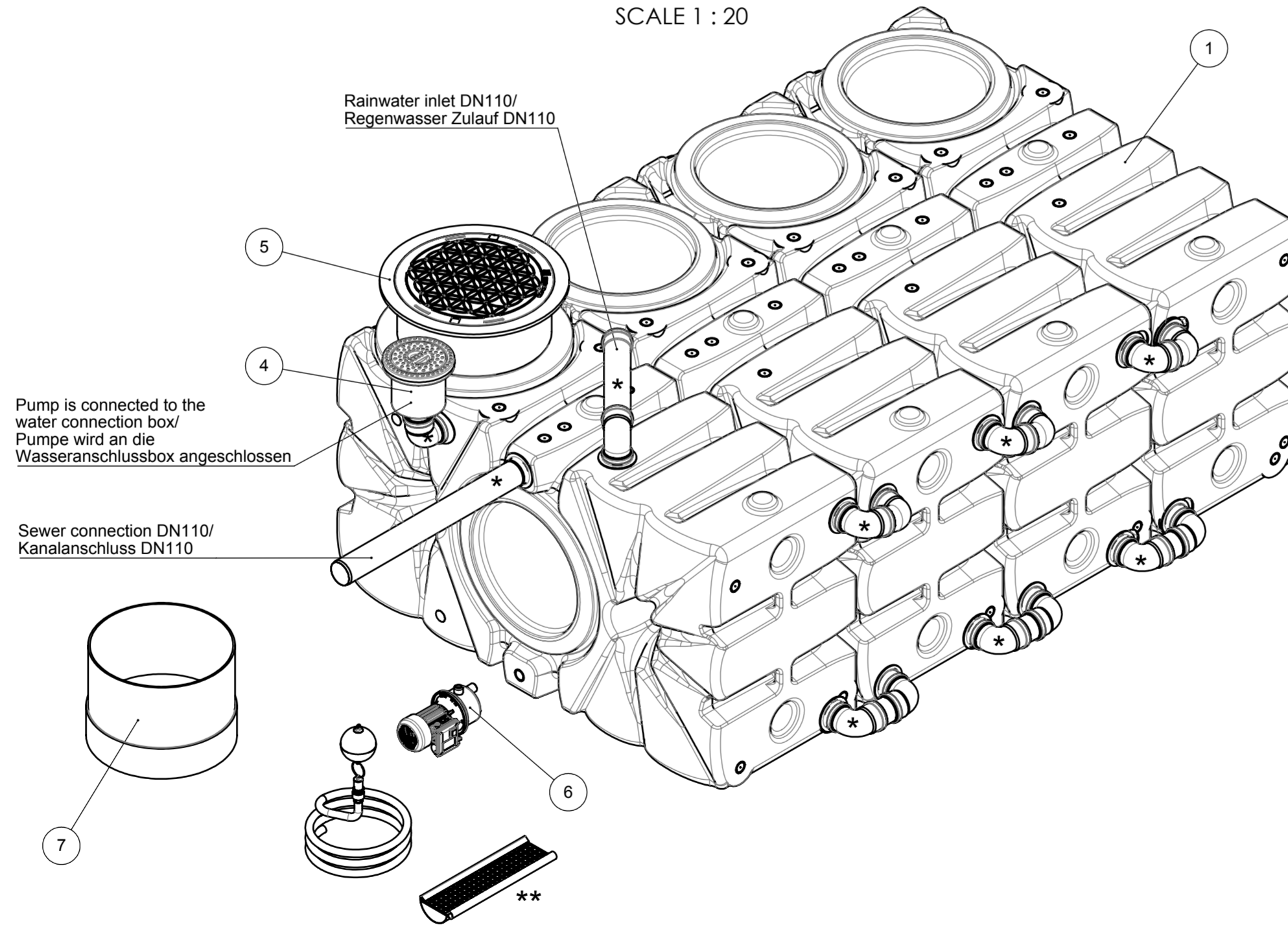
Pos.	Item name_Global	Item name_Local	Article No.	1027688/QTY.
1	Flat tank 8000l standing long side 3 extensions	Flachtank 8000l stehend lange Seite 3 Erweiterungen	103034	1
2	Overflow siphon with rhodent protection	Ueberlaufsisphon mit Tierschutz, gekuerzt	103201	1
3	Inlet flow turbulence reducer	Zulaufberuhiger	103211	1
4	Water connection box	Wasseranschlussbox	103206	1
5	Walkable cover, set standard	Begehbare Abdeckung, Set Standard	103100	1
6	Centrifugal JET pump, set	JET Kreiselpumpe, Set	103150	1
7	Dome extension DN 600	Domverlaengerung DN 600	103103	1



Height adjustable from 400 to 435 mm/  
Höhe einstellbar von 400 bis 435 mm.



SCALE 1 : 20



DIN 110 pipe fittings used in installations/  
DIN 110 Rohrverschraubungen werden in den Installationen verwendet.

local article number: 103608

ACO ACO Hochbau Vertrieb GmbH 24755 Rendsburg, Postfach 320 Tel. +49 4331 354-410 Fax +49 4331 354-300 www.aco-hochbau.de	technical reference: Bartsch, Martin	drawing-no.: <b>1027688-M</b>	index: <b>001</b>	documenttype: marketing drw.
	created by: mbartsch	reviewed by: mbartsch	projection: ISO-E	scale: 1:50

title:  
ACO Rain4me  
Complete product garden basic flat tank 8000l standing long side 3 extensions  
Komplettprodukt Garten basic Flachtank 8000l stehend lange Seite 3 Erweiterungen

serial-released

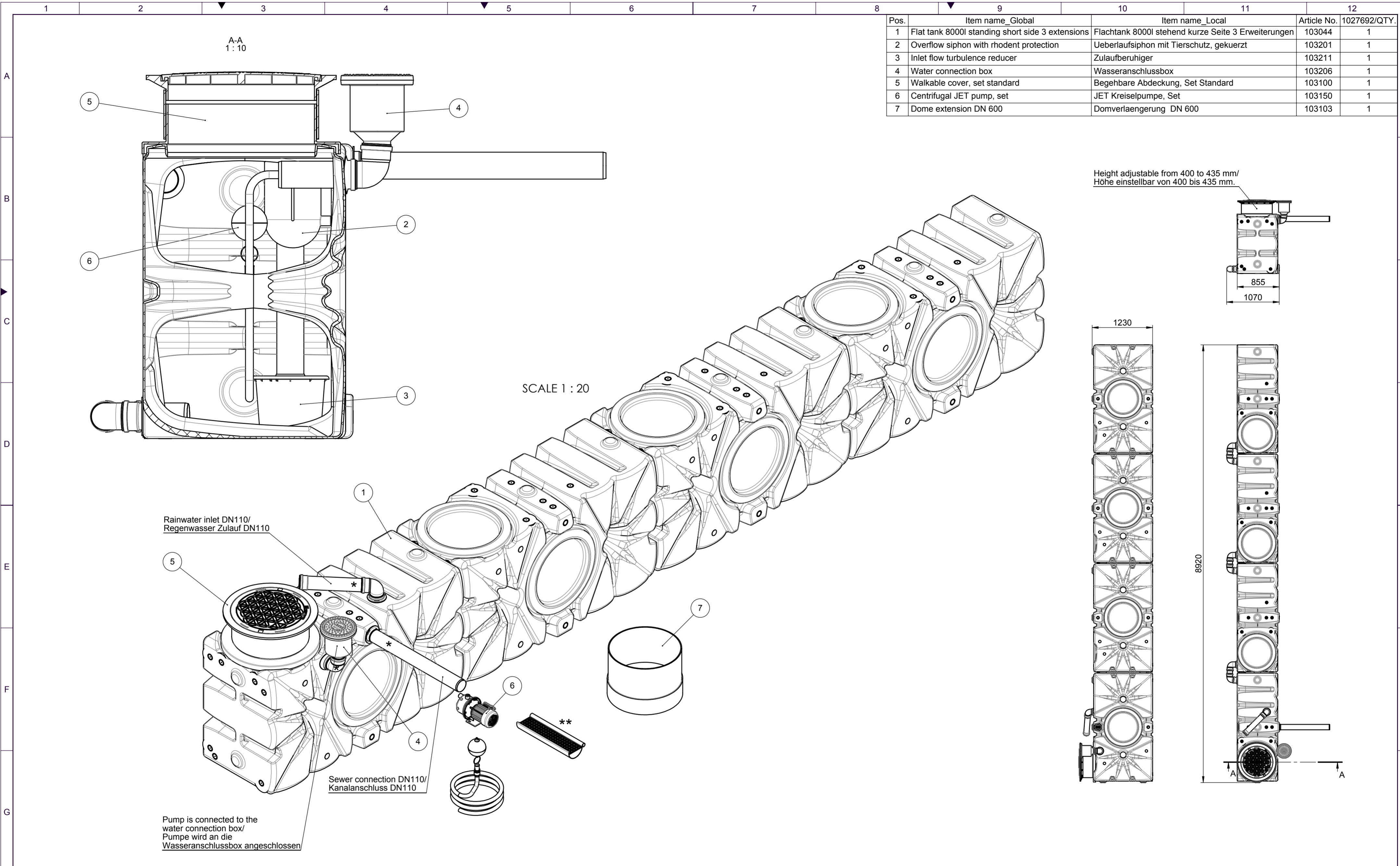
The reproduction, distribution and utilization of this document as well as the communication of its contents to others without express authorization is prohibited. Offenders will be held liable for the payment of damages. All rights reserved in the event of the grant of a patent, utility model or design. Observe copyright by ISO 16016

release date:  
2017-05-09 14:40  
sheet:  
1/1

\* The represented pipe sections are not included in scope of supply/  
Dargestellte Verrohrung ist nicht im Lieferumfang enthalten

\*\* Only roof gutter grid (34 pieces / 20 m approx.) is included in the scope of supply/  
Gitterrost für Dachrinne (34 Stücke / 20 m ca.) im Lieferumfang enthalten

Pos.	Item name_Global	Item name_Local	Article No.	1027692/QTY.
1	Flat tank 8000l standing short side 3 extensions	Flachtank 8000l stehend kurze Seite 3 Erweiterungen	103044	1
2	Overflow siphon with rhodent protection	Ueberlaufisiphon mit Tierschutz, gekuerzt	103201	1
3	Inlet flow turbulence reducer	Zulaufberuhiger	103211	1
4	Water connection box	Wasseranschlussbox	103206	1
5	Walkable cover, set standard	Begehbar Abdeckung, Set Standard	103100	1
6	Centrifugal JET pump, set	JET Kreiselpumpe, Set	103150	1
7	Dome extension DN 600	Domverlaengerung DN 600	103103	1



\* The represented pipe sections are not included in scope of supply/  
Dargestellte Verrohrung ist nicht im Lieferumfang enthalten

\*\* Only roof gutter grid (34 pieces / 20 m approx.) is included in the scope of supply/  
Gitterrost für Dachrinne (34 Stücke / 20 m ca.) im Lieferumfang enthalten

DIN 110 pipe fittings used in installations/  
DIN 110 Rohrverschraubungen werden in den Installationen verwendet.

local article number: 103603

	ACO Hochbau Vertrieb GmbH 24755 Rendsburg, Postfach 320 Tel. +49 4331 354-410 Fax +49 4331 354-300 www.aco-hochbau.de	technical reference: Bartsch, Martin	drawing-no.: <b>1027692-M</b>	index: <b>001</b>	documenttype: marketing drw.
	created by: mbartsch	reviewed by: mbartsch	projection: ISO-E	scale: 1:50	serial-released

title:  
 ACO Rain4me  
 Complete product garden basic flat tank 8000l standing short side 3 extensions  
 Kompletprodukt Garten basic Flachtank 8000l stehend kurze Seite 3 Erweiterungen

The reproduction, distribution and utilization of this document as well as the communication of its contents to others without express authorization is prohibited. Offenders will be held liable for the payment of damages. All rights reserved in the event of the grant of a patent, utility model or design. Observe copyright by ISO 16016

release date:  
 2017-05-09 14:49

sheet:  
 1/1