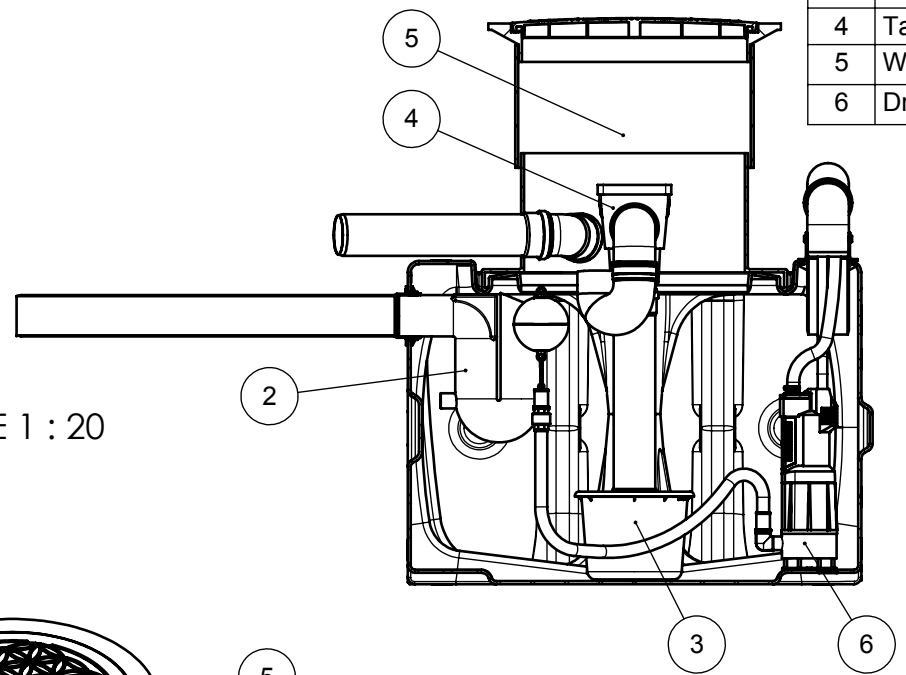


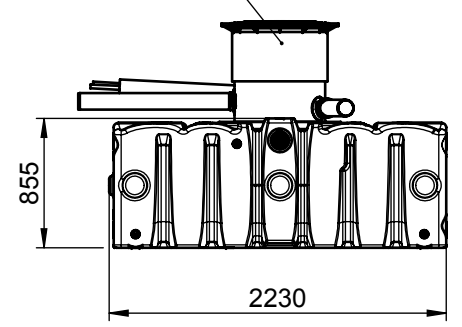
Pos.	Item name_Global	item name_Local	Article No.	1028171/QTY.
1	Flat tank 2000l lying	Flachtank 2000l liegend	103001	1
2	Overflow siphon with rodent protection	Ueberlaufsiphon mit Tierschutz, gekuerzt	103201	1
3	Inlet flow turbulence reducer	Zulaufberuhiger	103211	1
4	Tank filter	Tankeinbaufilter	103210	1
5	Walkable cover, set high	Begehbare Abdeckung, Set hoch	103101	1
6	Drinking water feeder, set	TW-Nachspeisung, Set	103152	1

A-A
270.00°
1 : 20



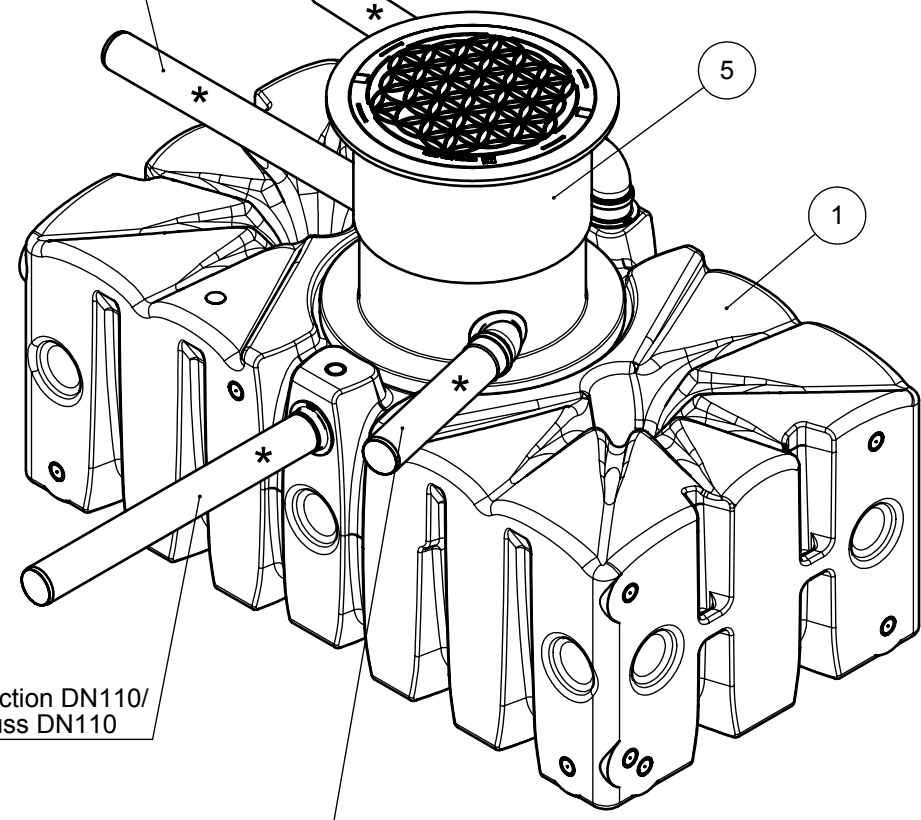
SCALE 1 : 20

Height adjustable from 600 to 695 mm /
Hoehe einstellbar von 600 bis 695 mm



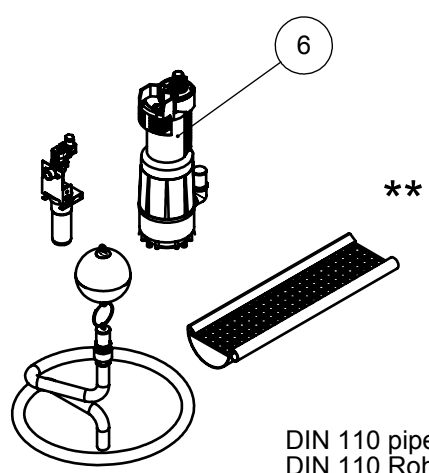
Power and water outlet connection
from submersible pump /
Stromkabel und Wasser-Auslassanschluss
von Tauchpumpe

Rainwater inlet DN110/
Regenwasser Zulauf DN110



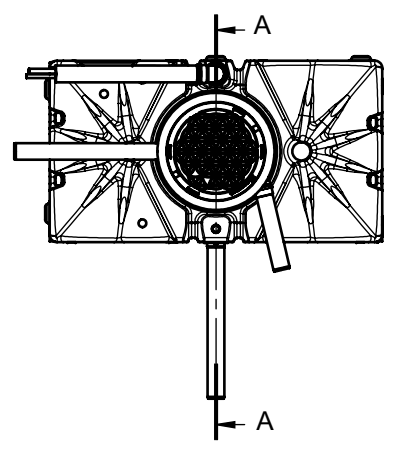
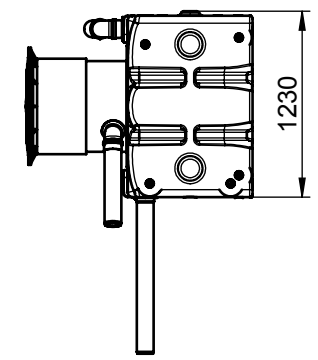
Sewer connection DN110/
Kanalanschluss DN110

Waste water from tank filter /
Abwasser von Tankeinbaufilter



DIN 110 pipe fittings used in installations/
DIN 110 Rohrverschraubungen werden in
den Installationen verwendet

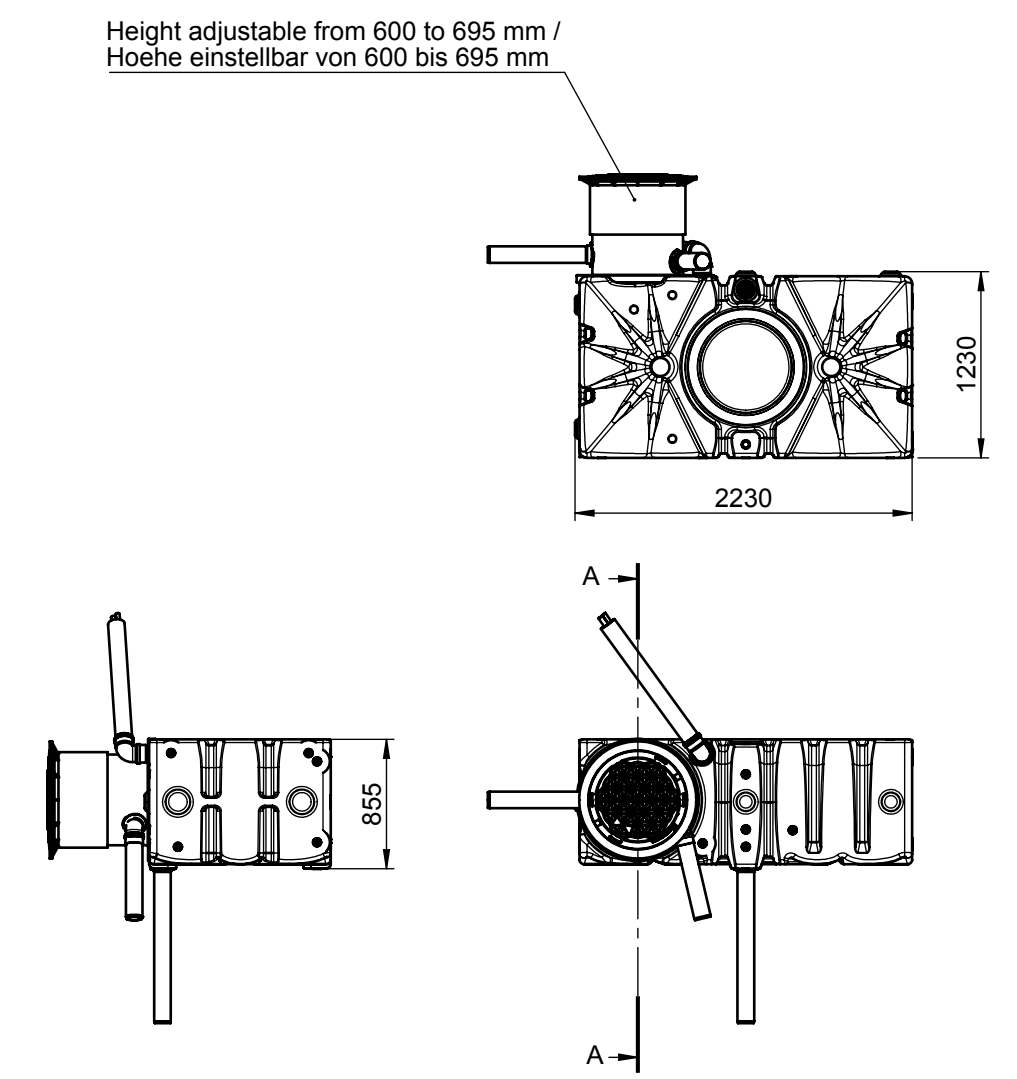
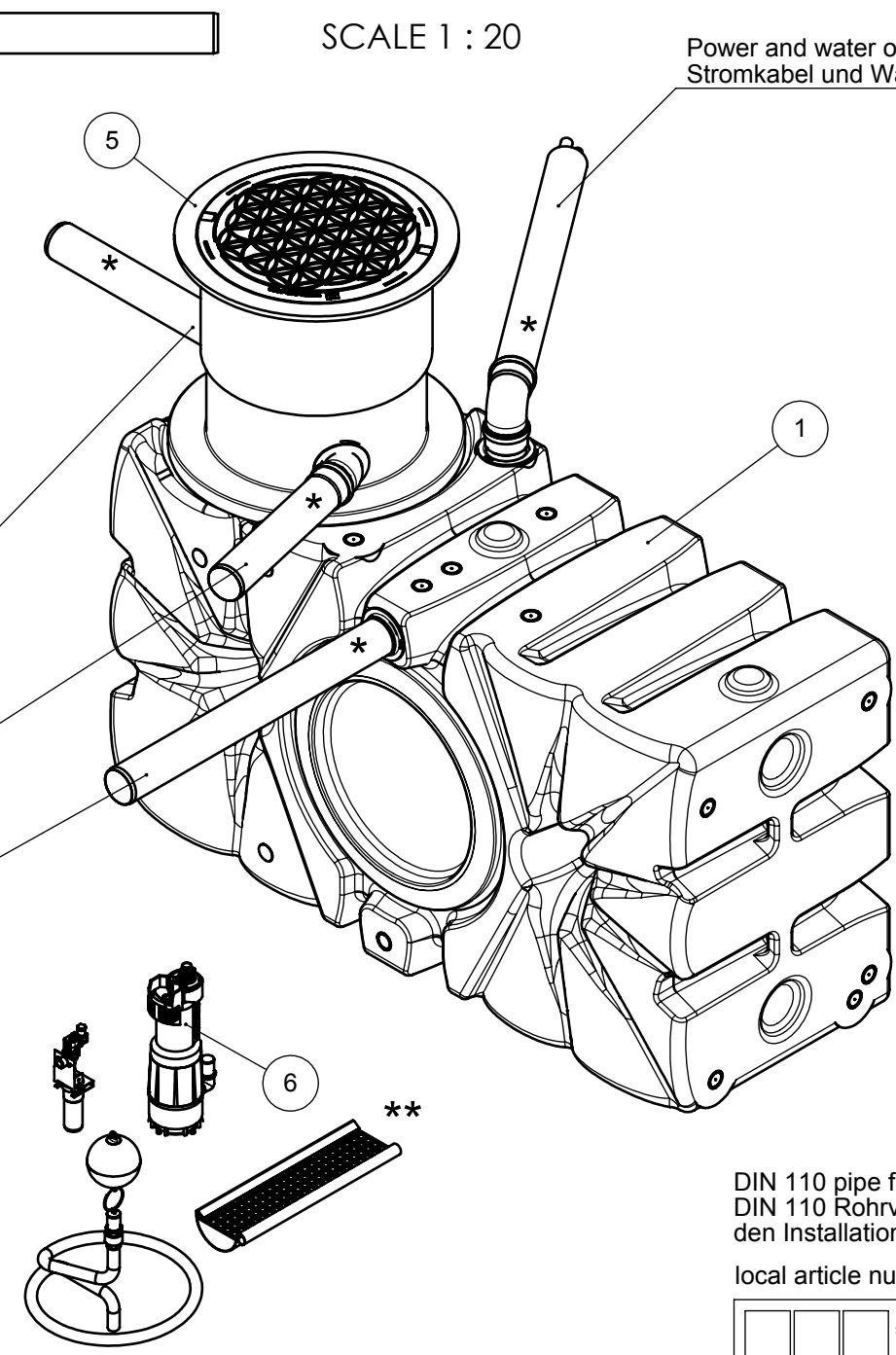
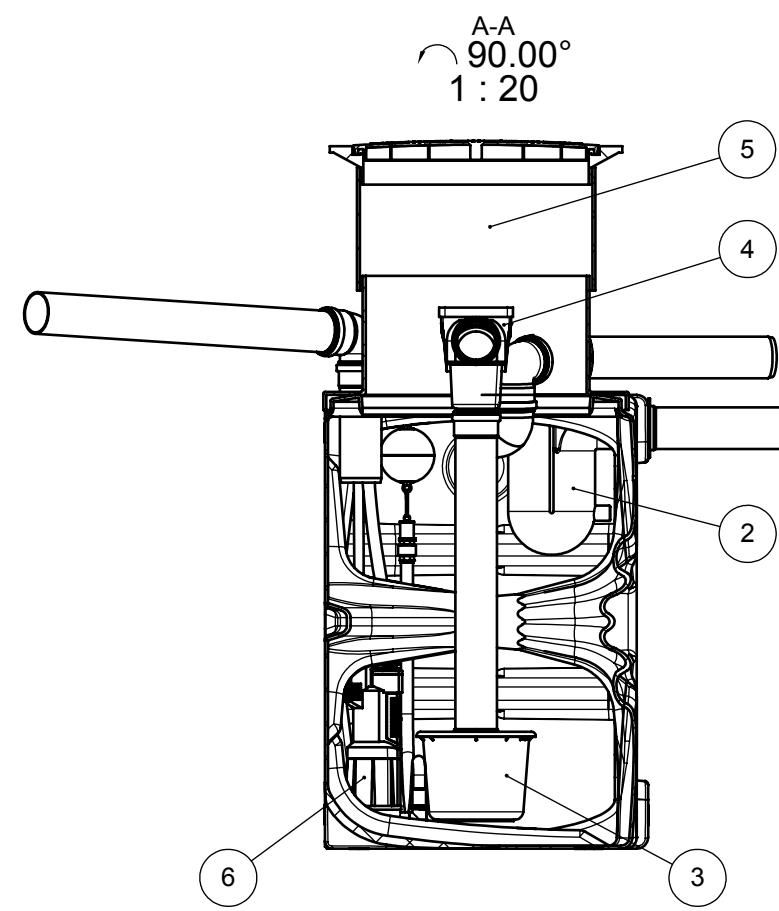
local article number: 103520



	ACO Hochbau Vertrieb GmbH 24755 Rendsburg, Postfach 320 Tel. +49 4331 354-410 Fax. +49 4331 354-360 www.aco-hochbau.de	technical reference: Bartsch, Martin	drawing-no.: 1028171-M	index: 001	documenttype: marketing drw.
	created by: mbartsch	reviewed by: mbartsch	projection: ISO-E 	scale: 1:50	serial-released
title: ACO Rain4me Complete product house and garden compact flat tank 2000l lying Komplettprodukt Haus und Garten Compact Flachtank 2000l liegend					
The reproduction, distribution and utilization of this document as well as the communication of its contents to others without express authorization is prohibited. Offenders will be held liable for the payment of damages. All rights reserved in the event of the grant of a patent, utility model or design. Observe copyright by ISO 16016			release date: 2017-05-10 08:50	sheet: 1/1	

* The represented pipe sections are not included in scope of supply/
Dargestellte Verrohrung ist nicht im Lieferumfang enthalten

** Only roof gutter grid (34 pieces / 20 m approx.) is included in the scope of supply/
Gitterrost für Dachrinne (34 Stücke / 20 m ca.) im Lieferumfang enthalten



Pos.	Item name_Global	Item name_Local	Article No.	1028177/QTY.
1	Flat tank 2000l standing	Flachtank 2000l stehend	103000	1
2	Overflow siphon with rhodent protection	Ueberlaufsisphon mit Tierschutz, gekuerzt	103201	1
3	Inlet flow turbulence reducer	Zulaufberuhiger	103211	1
4	Tank filter	Tankeinbaufilter	103210	1
5	Walkable cover, set high	Begehbare Abdeckung, Set hoch	103101	1
6	Drinking water feeder, set	TW-Nachspeisung, Set	103152	1

Rainwater inlet DN110/
Regenwasser Zulauf DN110

Waste water from tank filter /
Abwasser von Tankeinbaufilte

Sewer connection DN110/
Kanalanschluss DN110

Power and water outlet connection from submersible pump /
Stromkabel und Wasser-Auslassanschluss von Tauchpumpe

Height adjustable from 600 to 695 mm /
Hoehe einstellbar von 600 bis 695 mm

DIN 110 pipe fittings used in installations/
DIN 110 Rohrverschraubungen werden in
den Installationen verwendet.

local article number: 103620

ACO Hochbau Vertrieb GmbH 24755 Rendsburg, Postfach 320 Tel. +49 4331 354-410 Fax. +49 4331 354-360 www.aco-hochbau.de	technical reference: Bartsch, Martin	drawing-no.: 1028177-M	index: 001	documenttype: marketing drw.
	created by: mbartsch	reviewed by: mbartsch	projection:ISO-E 	scale: 1:50
title: ACO Rain4me Complete product house and garden compact flat tank 2000l standing Komplettprodukt Haus und Garten Compact Flachtank 2000l stehend				
The reproduction, distribution and utilization of this document as well as the communication of its contents to others without express authorization is prohibited. Offenders will be held liable for the payment of damages. All rights reserved in the event of the grant of a patent, utility model or design. Observe copyright by ISO 16016			release date: 2017-05-10 10:51	sheet: 1/1

* The represented pipe sections are not included in scope of supply/
Dargestellte Verrohrung ist nicht im Lieferumfang enthalten

** Only roof gutter grid (34 pieces / 20 m approx.) is included in the scope of supply/
Gitterrost für Dachrinne (34 Stücke / 20 m ca.) im Lieferumfang enthalten