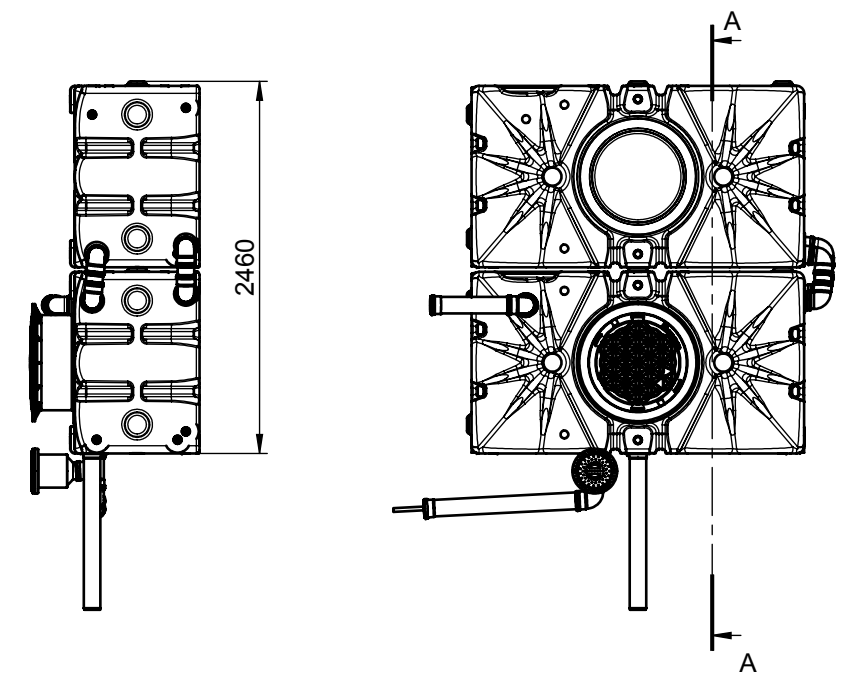
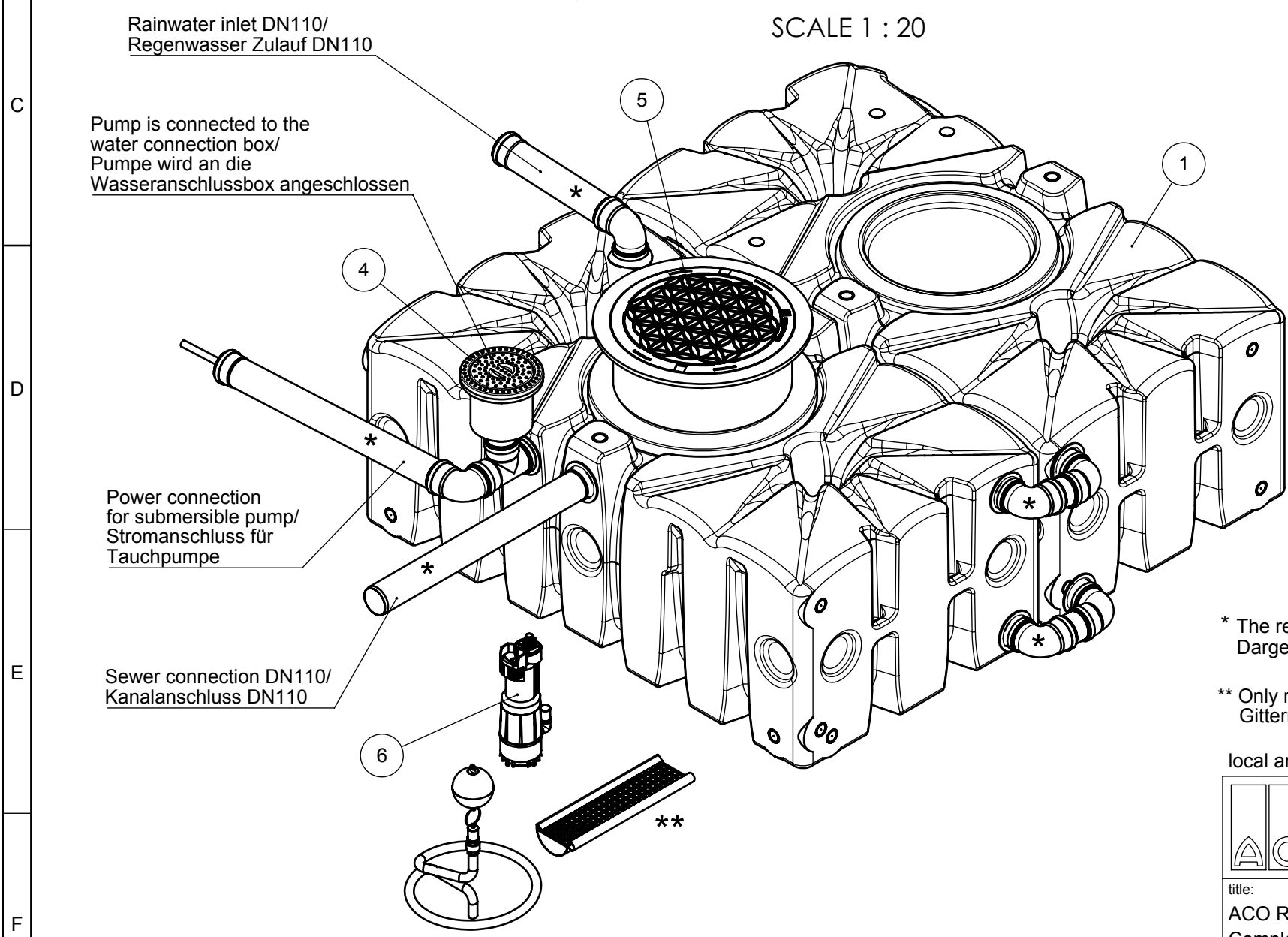
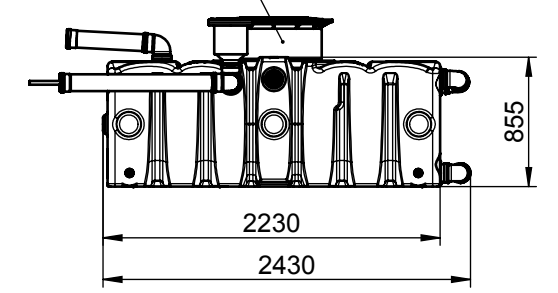


Pos.	Item name_Global	Item name_Local	Article No.	1026758/QTY.
1	Flat tank 4000l lying long side 1 extension	Flachtank 4000l liegend lange Seite 1 Erweiterung	103002	1
2	Overflow siphon with rhodent protection	Ueberlaufsiphon mit Tierschutz, gekuerzt	103201	1
3	Inlet flow turbulence reducer	Zulaufberuhiger	103211	1
4	Water connection box	Wasseranschlussbox	103206	1
5	Walkable cover, set standard	Begehbare Abdeckung, Set Standard	103100	1
6	Clean water pressure pump, set	Klarwasserdruckpumpe, Set	103151	1

Height adjustable from 400 to 435 mm/
Höhe einstellbar von 400 bis 435 mm



* The represented pipe sections are not included in scope of supply/
Dargestellte Verrohrung ist nicht im Lieferumfang enthalten

** Only roof gutter grid (34 pieces / 20 m approx.) is included in the scope of supply/
Gitterrost für Dachrinne (34 Stücke / 20 m ca.) im Lieferumfang enthalten

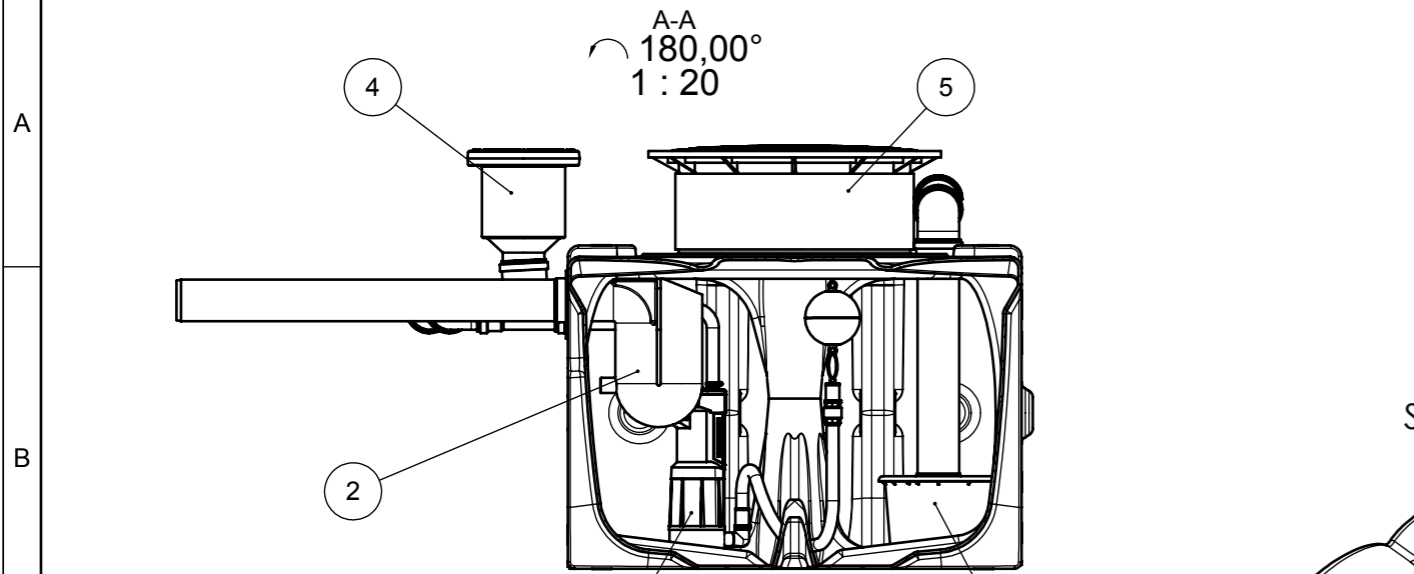
local article number: 103516

	ACO Hochbau Vertrieb GmbH 24755 Rendsburg, Postfach 320 Tel. +49 4331 354-410 Fax. +49 4331 354-360 www.aco-hochbau.de	technical reference: Bartsch, Martin	drawing-no.: 1026758-M	index: 001	documenttype: marketing drw.
	created by: mbartsch	reviewed by: mbartsch	projection: ISO-E 	scale: 1:50	serial-released
title: ACO Rain4me Complete product garden plus flat tank 4000l lying long side 1 extension Komplettprodukt Garten plus Flachtank 4000l liegend lange Seite 1 Erweiterung					
The reproduction, distribution and utilization of this document as well as the communication of its contents to others without express authorization is prohibited. Offenders will be held liable for the payment of damages. All rights reserved in the event of the grant of a patent, utility model or design. Observe copyright by ISO 16016			release date: 2017-05-09 15:41	sheet: 1/1	

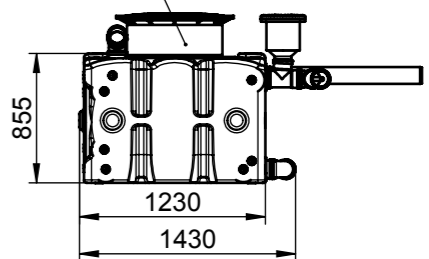
DIN 110 pipe fittings used in installations/
DIN 110 Rohrverschraubungen werden in den Installationen verwendet.

1 2 3 4 5 6 7 8

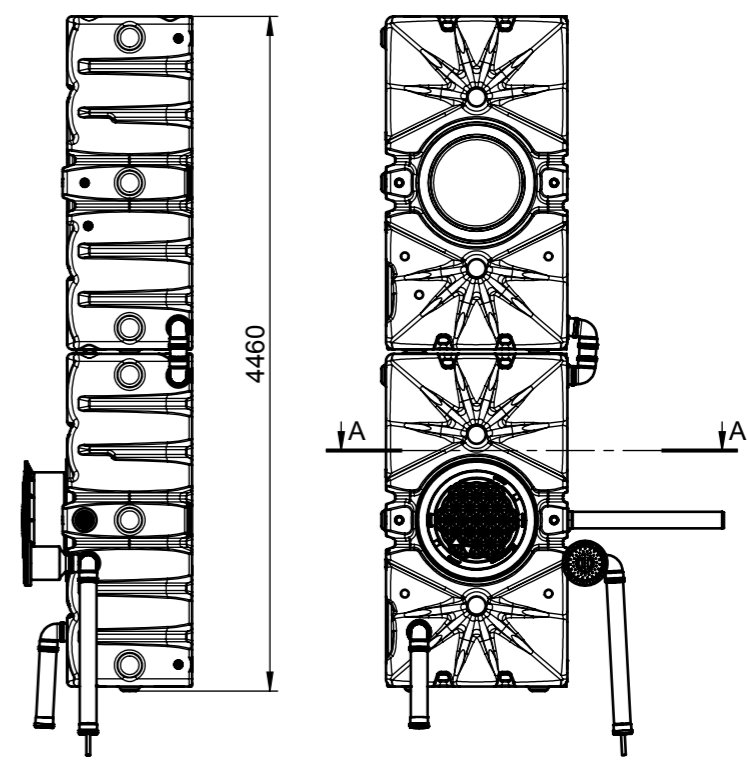
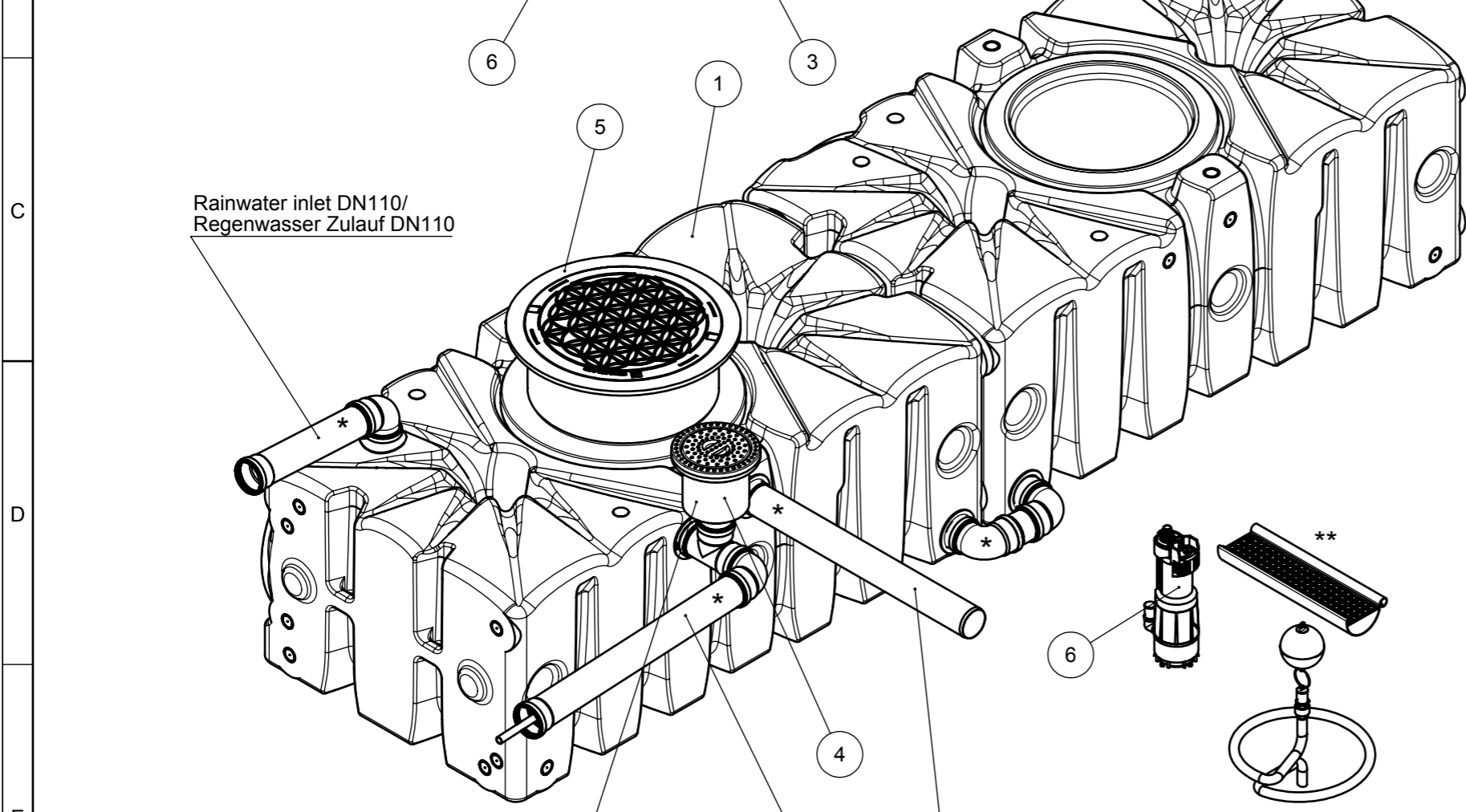
Pos.	Item name_Global	Item name_Local	Article No.	1026761/QTY.
1	Flat tank 4000l lying short side 1 extension	Flachtank 4000l liegend kurze Seite 1 Erweiterung	103022	1
2	Overflow siphon with rhodent protection	Ueberlaufsihphon mit Tierschutz, gekuerzt	103201	1
3	Inlet flow turbulence reducer	Zulaufberuhiger	103211	1
4	Water connection box	Wasseranschlussbox	103206	1
5	Walkable cover, set standard	Begehbare Abdeckung, Set Standard	103100	1
6	Clean water pressure pump, set	Klarwasserdruckpumpe, Set	103151	1



Height adjustable from 400 to 435 mm/
Höhe einstellbar von 400 bis 435 mm



SCALE 1 : 20



Pump is connected to the
water connection box/
Pumpe wird an die
Wasseranschlussbox angeschlossen

Power connection for submersible pump/
Stromanschluss für Tauchpumpe

DIN 110 pipe fittings used in installations/
DIN 110 Rohrverschraubungen werden in den Installationen verwendet.
local article number: 103511

ACO ACO Hochbau Vertrieb GmbH 24755 Rendsburg, Postfach 320 Tel. +49 4331 354-410 Fax. +49 4331 354-360 www.aco-hochbau.de	technical reference: Bartsch, Martin	drawing-no.: 1026761-M	index: 001	documenttype: marketing drw.
	created by: mbartsch	reviewed by: mbartsch	projection:ISO-E 	scale: 1:50

title:
ACO Rain4me
Complete product garden plus flat tank 4000l lying short side 1 extension
Komplettprodukt Garten plus Flachtank 4000l liegend kurze Seite 1 Erweiterungen

serial-released

The reproduction, distribution and utilization of this document as well as the communication of its contents to others without express authorization is prohibited. Offenders will be held liable for the payment of damages. All rights reserved in the event of the grant of a patent, utility model or design. Observe copyright by ISO 16016

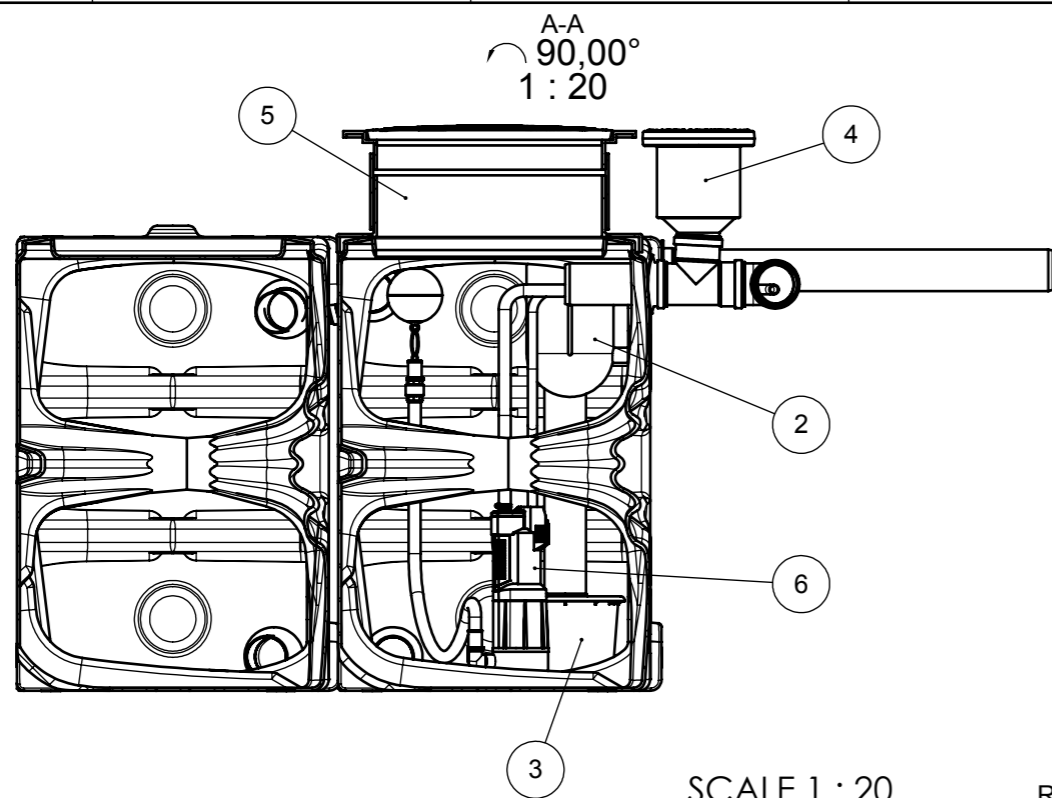
release date:
2017-05-09 15:51

sheet:
1/1

* The represented pipe sections are not included in scope of supply/
Dargestellte Verrohrung ist nicht im Lieferumfang enthalten

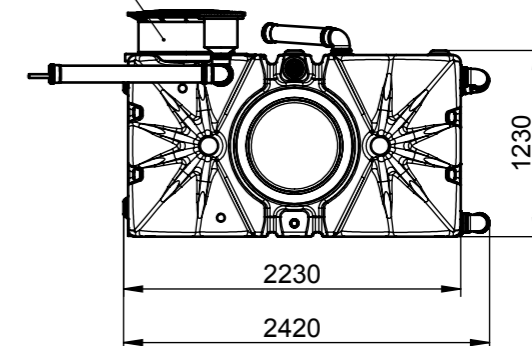
** Only roof gutter grid (34 pieces / 20 m approx.) is included in the scope of supply/
Gitterrost für Dachrinne (34 Stücke / 20 m ca.) im Lieferumfang enthalten

1 2 3 4 5 6 7 8



Pos.	Item name_Global	Item name_Local	Article No.	1026763/QTY.
1	Flat tank 4000l standing long side 1 extension	Flachtank 4000l stehend lange Seite 1 Erweiterung	103032	1
2	Overflow siphon with rhodent protection	Ueberlaufsihphon mit Tierschutz, gekuerzt	103201	1
3	Inlet flow turbulence reducer	Zulaufberuhiger	103211	1
4	Water connection box	Wasseranschlussbox	103206	1
5	Walkable cover, set standard	Begehbare Abdeckung, Set Standard	103100	1
6	Clean water pressure pump, set	Klarwasserdruckpumpe, Set	103151	1
7	Dome extension DN 600	Domverlaengerung DN 600	103103	1

Height adjustable from 400 to 435 mm/
Höhe einstellbar von 400 bis 435 mm



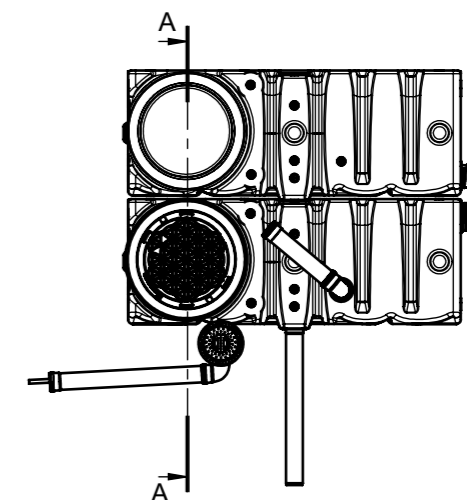
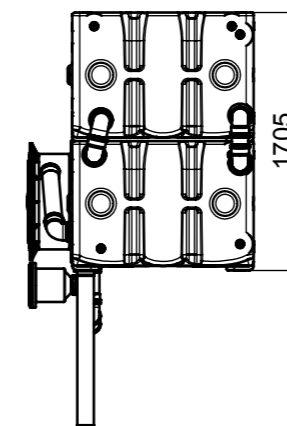
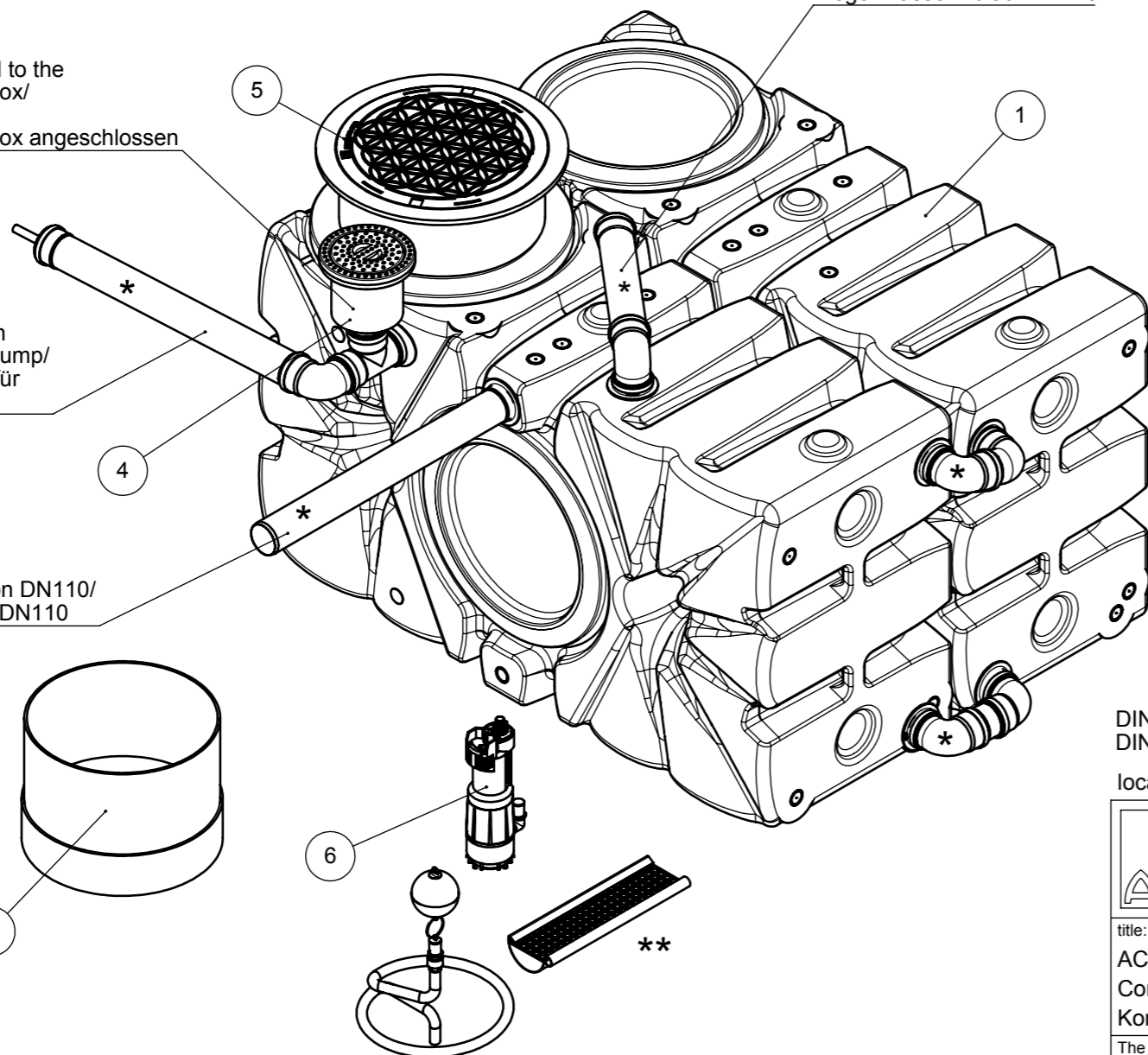
SCALE 1 : 20

Rainwater inlet DN110/
Regenwasser Zulauf DN110

Pump is connected to the
water connection box/
Pumpe wird an die
Wasseranschlussbox angeschlossen

Power connection
for submersible pump/
Stromanschluss für
Tauchpumpe

Sewer connection DN110/
Kanalanschluss DN110



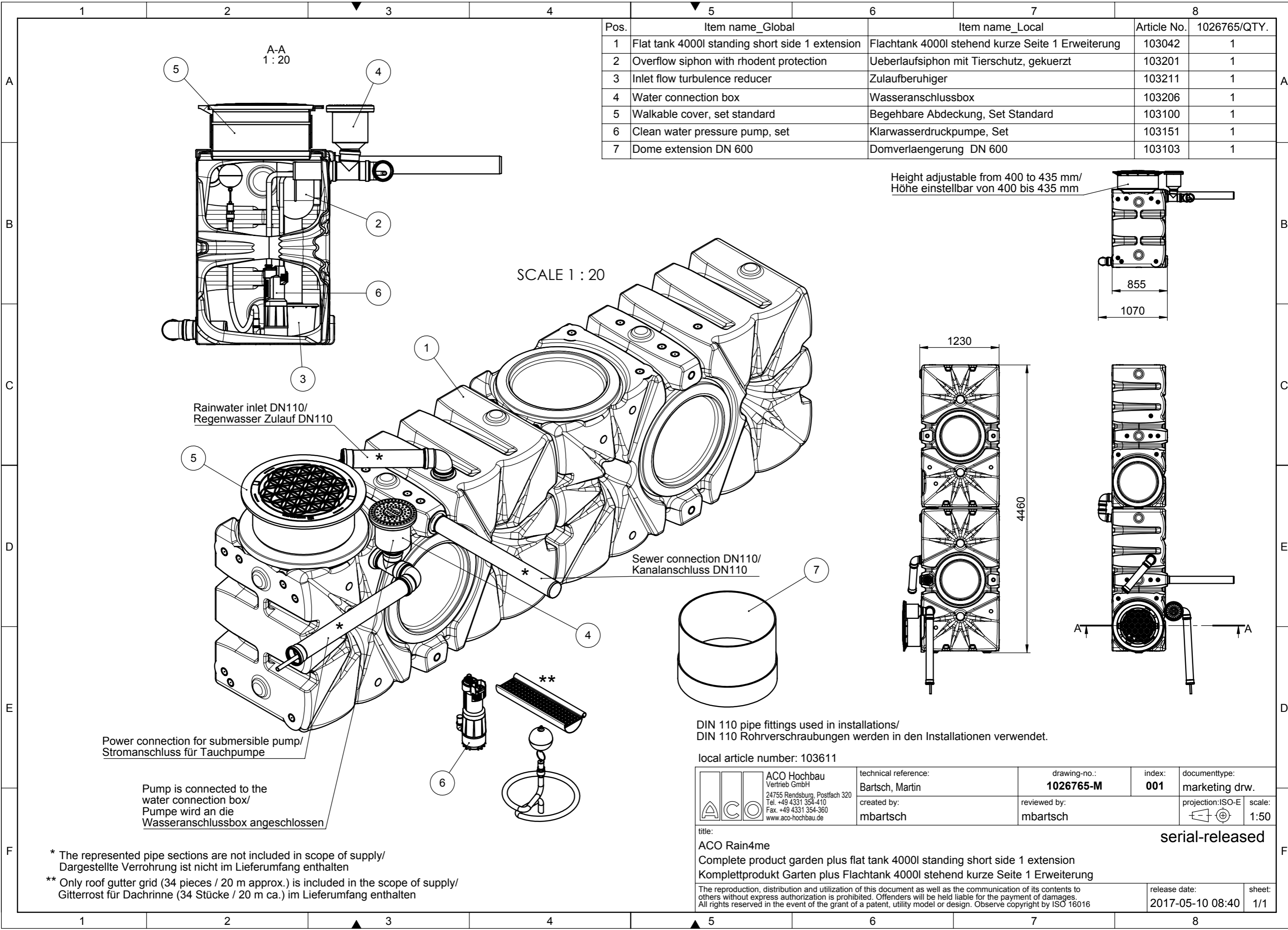
* The represented pipe sections are not included in scope of supply/
Dargestellte Verrohrung ist nicht im Lieferumfang enthalten

** Only roof gutter grid (34 pieces / 20 m approx.) is included in the scope of supply/
Gitterrost für Dachrinne (34 Stücke / 20 m ca.) im Lieferumfang enthalten

DIN 110 pipe fittings used in installations/
DIN 110 Rohrverschraubungen werden in den Installationen verwendet.

local article number: 103616

	ACO Hochbau Vertrieb GmbH 24755 Rendsburg, Postfach 320 Tel. +49 4331 354-410 Fax. +49 4331 354-360 www.aco-hochbau.de	technical reference: Bartsch, Martin	drawing-no.: 1026763-M	index: 001	documenttype: marketing drw.
	created by: mbartsch	reviewed by: mbartsch		scale: 1:50	serial-released
title: ACO Rain4me Complete product garden plus flat tank 4000l standing long side 1 extension Komplettprodukt Garten plus Flachtank 4000l stehend lange Seite 1 Erweiterung					
The reproduction, distribution and utilization of this document as well as the communication of its contents to others without express authorization is prohibited. Offenders will be held liable for the payment of damages. All rights reserved in the event of the grant of a patent, utility model or design. Observe copyright by ISO 16016				release date: 2017-05-09 16:32	sheet: 1/1



Pos.	Item name_Global	Item name_Local	Article No.	1026765/QTY.
1	Flat tank 4000l standing short side 1 extension	Flachtank 4000l stehend kurze Seite 1 Erweiterung	103042	1
2	Overflow siphon with rodent protection	Ueberlaufsisphon mit Tierschutz, gekuerzt	103201	1
3	Inlet flow turbulence reducer	Zulaufberuhiger	103211	1
4	Water connection box	Wasseranschlussbox	103206	1
5	Walkable cover, set standard	Begehbare Abdeckung, Set Standard	103100	1
6	Clean water pressure pump, set	Klarwasserdruckpumpe, Set	103151	1
7	Dome extension DN 600	Domverlaengerung DN 600	103103	1

Height adjustable from 400 to 435 mm/
 Höhe einstellbar von 400 bis 435 mm

SCALE 1 : 20

Rainwater inlet DN110/
 Regenwasser Zulauf DN110

Sewer connection DN110/
 Kanalanschluss DN110

Power connection for submersible pump/
 Stromanschluss für Tauchpumpe

Pump is connected to the
 water connection box/
 Pumpe wird an die
 Wasseranschlussbox angeschlossen

DIN 110 pipe fittings used in installations/
 DIN 110 Rohrverschraubungen werden in den Installationen verwendet.

local article number: 103611

	ACO Hochbau Vertrieb GmbH 24755 Rendsburg, Postfach 320 Tel. +49 4331 354-410 Fax. +49 4331 354-360 www.aco-hochbau.de	technical reference: Bartsch, Martin	drawing-no.: 1026765-M	index: 001	documenttype: marketing drw.
	created by: mbartsch	reviewed by: mbartsch	projection:ISO-E 	scale: 1:50	

title:
ACO Rain4me
 Complete product garden plus flat tank 4000l standing short side 1 extension
 Komplettprodukt Garten plus Flachtank 4000l stehend kurze Seite 1 Erweiterung

The reproduction, distribution and utilization of this document as well as the communication of its contents to others without express authorization is prohibited. Offenders will be held liable for the payment of damages. All rights reserved in the event of the grant of a patent, utility model or design. Observe copyright by ISO 16016

release date: 2017-05-10 08:40 sheet: 1/1

* The represented pipe sections are not included in scope of supply/
 Dargestellte Verrohrung ist nicht im Lieferumfang enthalten

** Only roof gutter grid (34 pieces / 20 m approx.) is included in the scope of supply/
 Gitterrost für Dachrinne (34 Stücke / 20 m ca.) im Lieferumfang enthalten