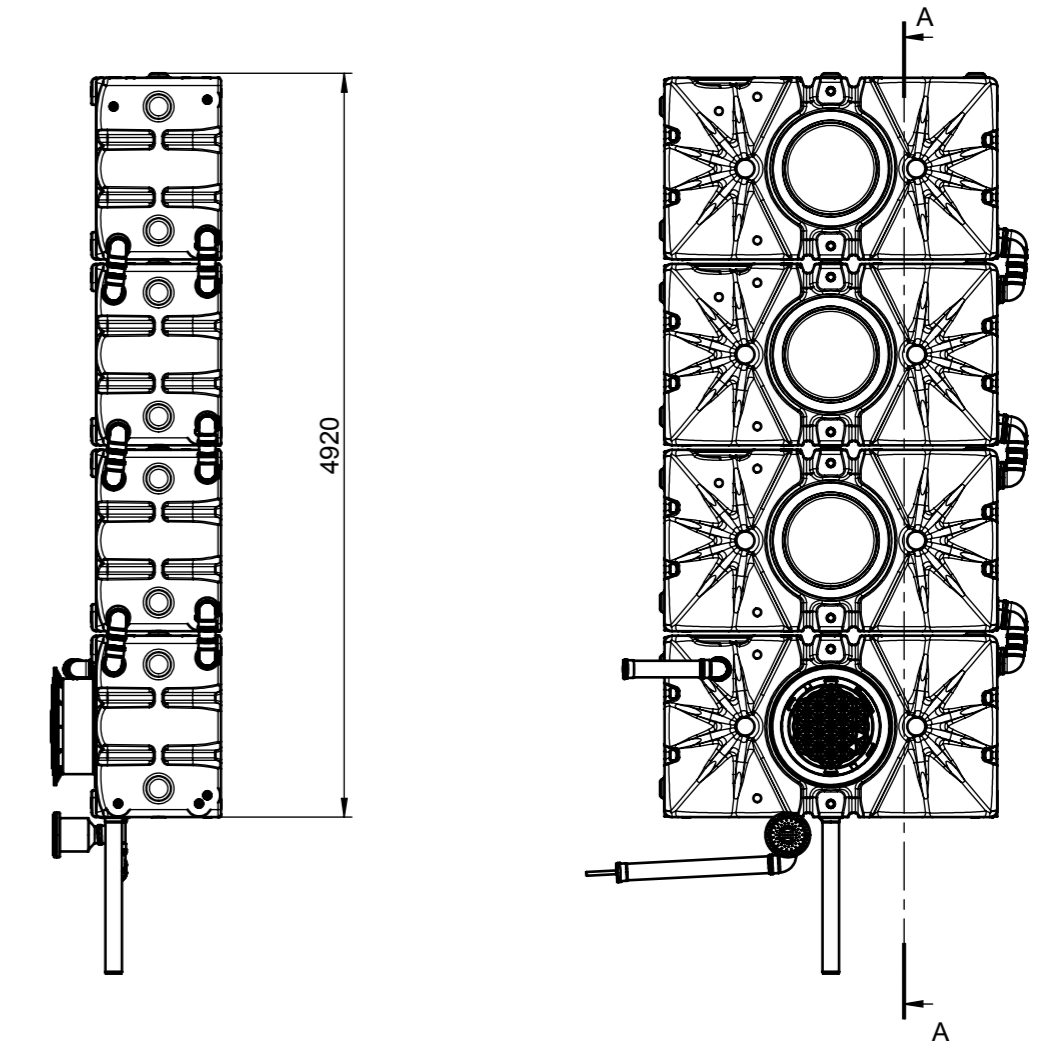
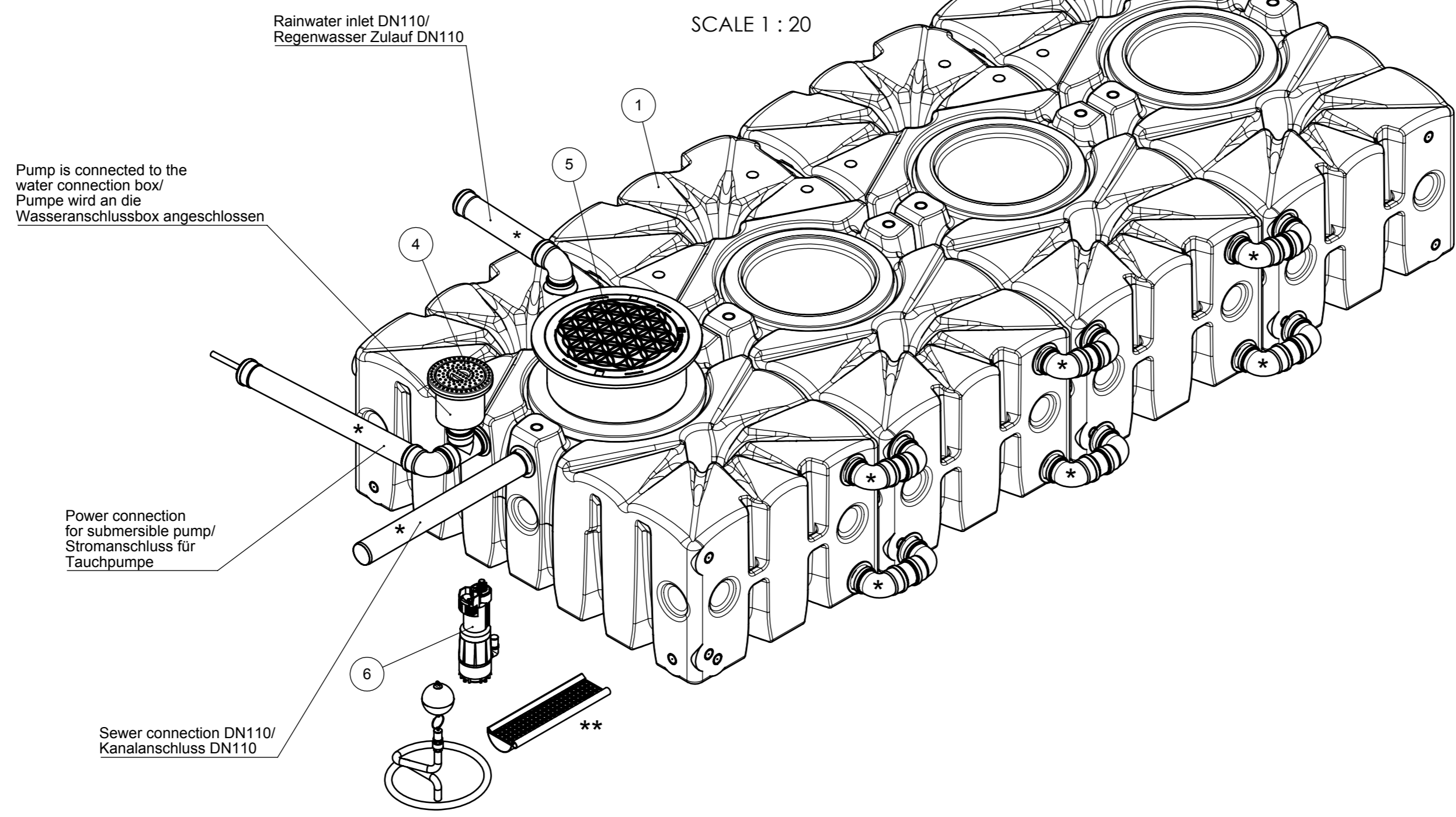
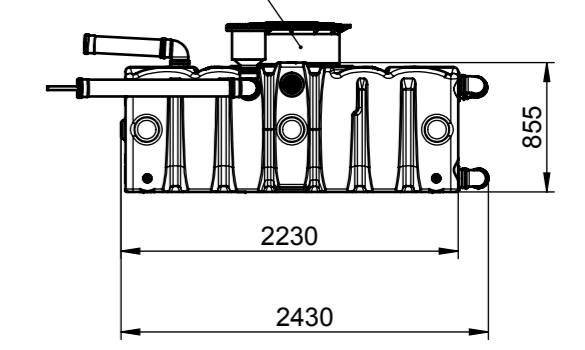


Pos.	Item name_Global	Item name_Local	Article No.	1028099/QTY.
1	Flat tank 8000l lying long side 3 extensions	Flachtank 8000l liegend lange Seite 3 Erweiterungen	103004	1
2	Overflow siphon with rhodent protection	Ueberlaufsisphon mit Tierschutz, gekuerzt	103201	1
3	Inlet flow turbulence reducer	Zulaufberuhiger	103211	1
4	Water connection box	Wasseranschlussbox	103206	1
5	Walkable cover, set standard	Begehbare Abdeckung, Set Standard	103100	1
6	Clean water pressure pump, set	Klarwasserdruckpumpe, Set	103151	1

Height adjustable from 400 to 435 mm/
Höhe einstellbar von 400 bis 435 mm



DIN 110 pipe fittings used in installations/
DIN 110 Rohrverschraubungen werden in den Installationen verwendet.

local article number: 103518

ACO	ACO Hochbau Vertrieb GmbH 24755 Rendsburg, Postfach 320 Tel. +49 4331 354-410 Fax +49 4331 354-300 www.aco-hochbau.de	technical reference: Bartsch, Martin	drawing-no.: 1028099-M	index: 001	documenttype: marketing drw.
		created by: mbartsch	reviewed by: mbartsch	projection:ISO-E	scale: 1:50

title:
ACO Rain4me
Complete product garden plus flat tank 8000l lying long side 3 extensions
Komplettprodukt Garten plus Flachtank 8000l liegend lange Seite 3 Erweiterungen

The reproduction, distribution and utilization of this document as well as the communication of its contents to others without express authorization is prohibited. Offenders will be held liable for the payment of damages. All rights reserved in the event of the grant of a patent, utility model or design. Observe copyright by ISO 16016

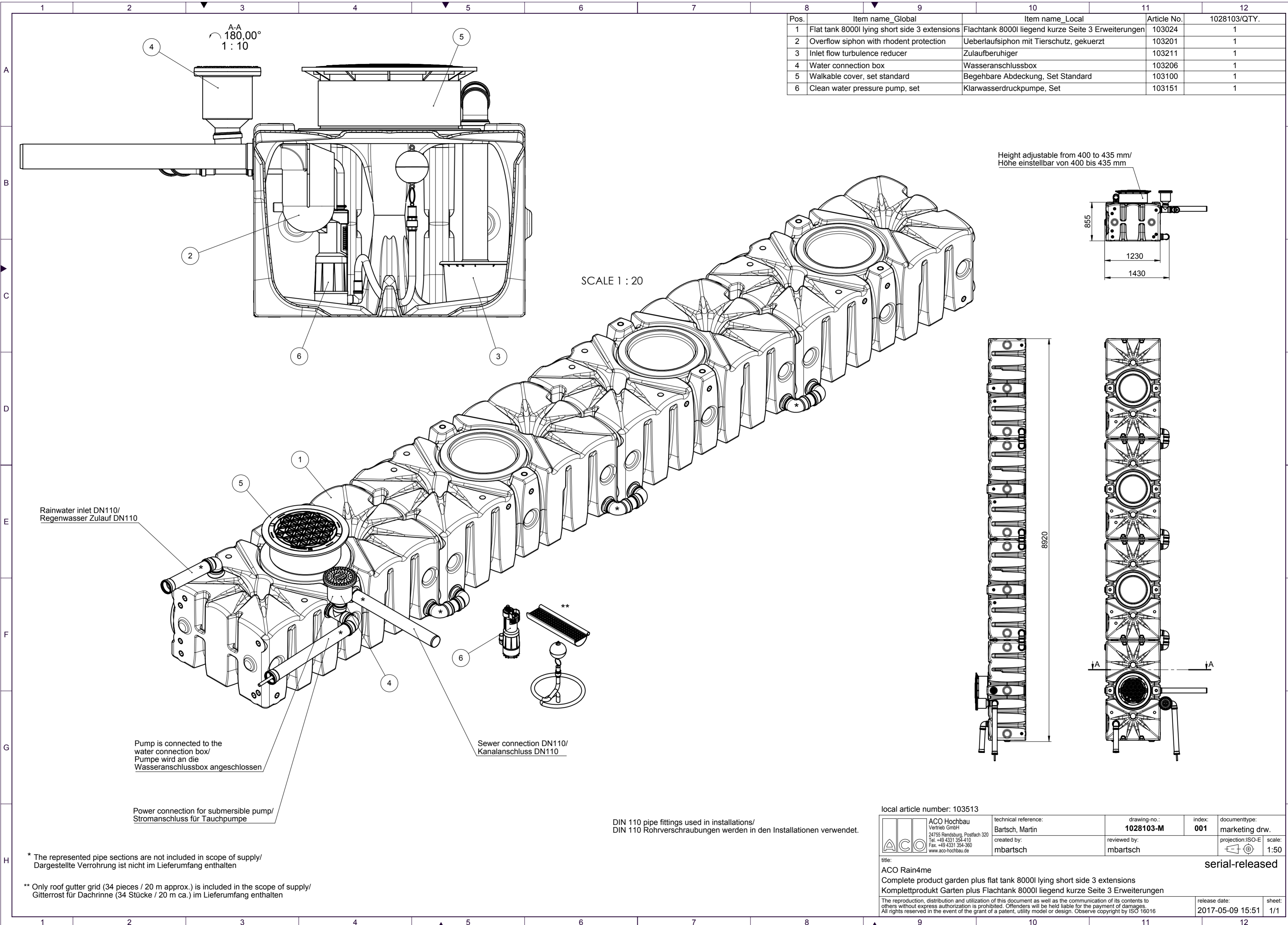
release date:
2017-05-09 15:41

sheet:
1/1

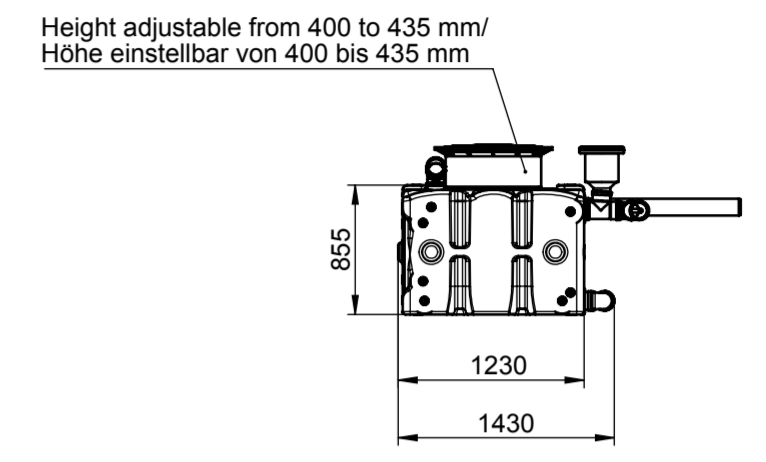
* The represented pipe sections are not included in scope of supply/
Dargestellte Verrohrung ist nicht im Lieferumfang enthalten

** Only roof gutter grid (34 pieces / 20 m approx.) is included in the scope of supply/
Gitterrost für Dachrinne (34 Stücke / 20 m ca.) im Lieferumfang enthalten

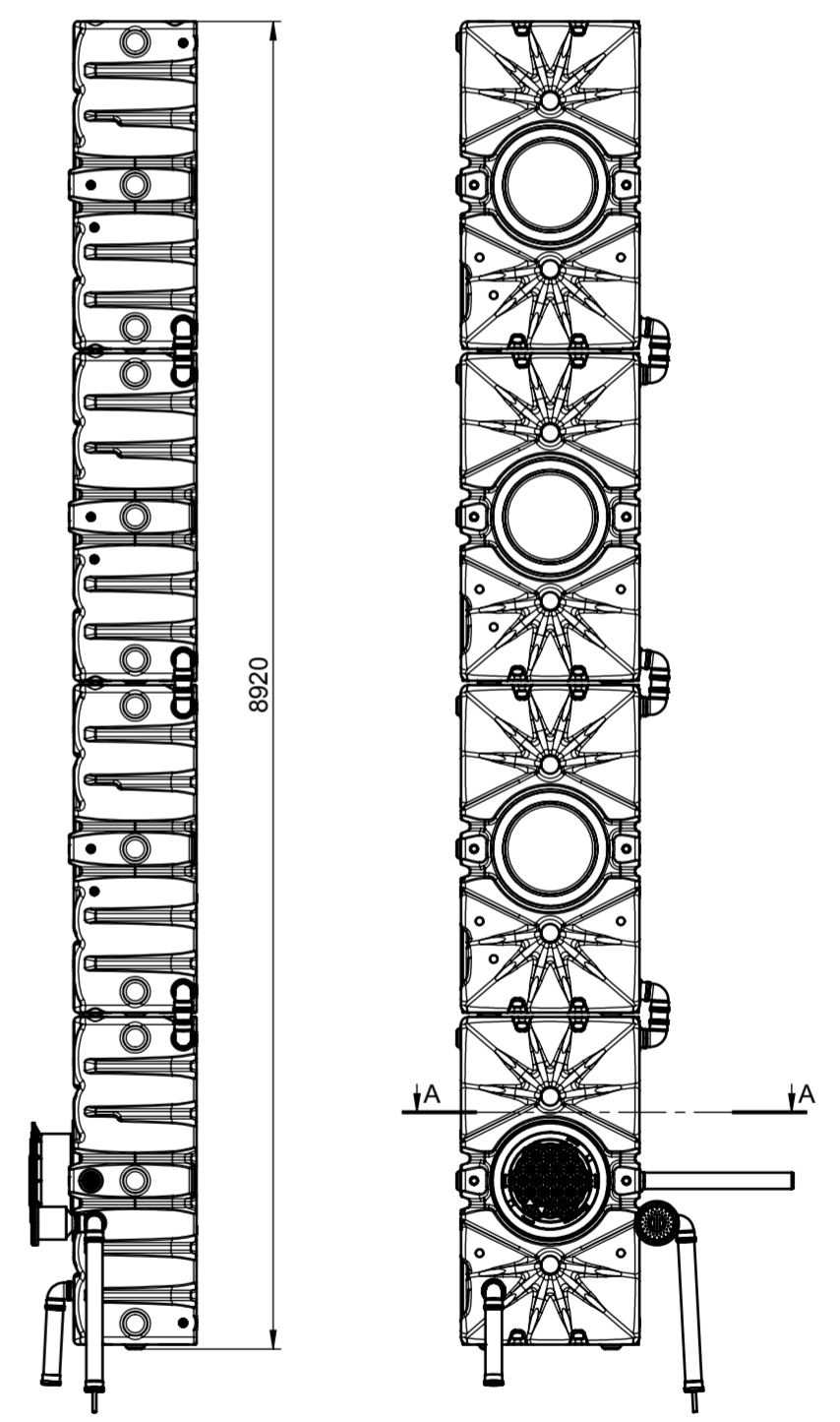
serial-released



Pos.	Item name_Global	Item name_Local	Article No.	1028103/QTY.
1	Flat tank 8000l lying short side 3 extensions	Flachtank 8000l liegend kurze Seite 3 Erweiterungen	103024	1
2	Overflow siphon with rhodent protection	Ueberlaufsisphon mit Tierschutz, gekuerzt	103201	1
3	Inlet flow turbulence reducer	Zulaufberuhiger	103211	1
4	Water connection box	Wasseranschlussbox	103206	1
5	Walkable cover, set standard	Begehbare Abdeckung, Set Standard	103100	1
6	Clean water pressure pump, set	Klarwasserdruckpumpe, Set	103151	1



SCALE 1 : 20



Rainwater inlet DN110/
Regenwasser Zulauf DN110

Pump is connected to the
water connection box/
Pumpe wird an die
Wasseranschlussbox angeschlossen

Power connection for submersible pump/
Stromanschluss für Tauchpumpe

Sewer connection DN110/
Kanalschluss DN110

DIN 110 pipe fittings used in installations/
DIN 110 Rohrverschraubungen werden in den Installationen verwendet.

local article number: 103513

ACO ACO Hochbau Vertrieb GmbH 24755 Rendsburg, Postfach 320 Tel. +49 4331 354-410 Fax +49 4331 354-300 www.aco-hochbau.de	technical reference: Bartsch, Martin	drawing-no.: 1028103-M	index: 001	documenttype: marketing drw.
	created by: mbartsch	reviewed by: mbartsch	projection:ISO-E	scale: 1:50

title:
ACO Rain4me
Complete product garden plus flat tank 8000l lying short side 3 extensions
Komplettprodukt Garten plus Flachtank 8000l liegend kurze Seite 3 Erweiterungen

The reproduction, distribution and utilization of this document as well as the communication of its contents to others without express authorization is prohibited. Offenders will be held liable for the payment of damages. All rights reserved in the event of the grant of a patent, utility model or design. Observe copyright by ISO 16016

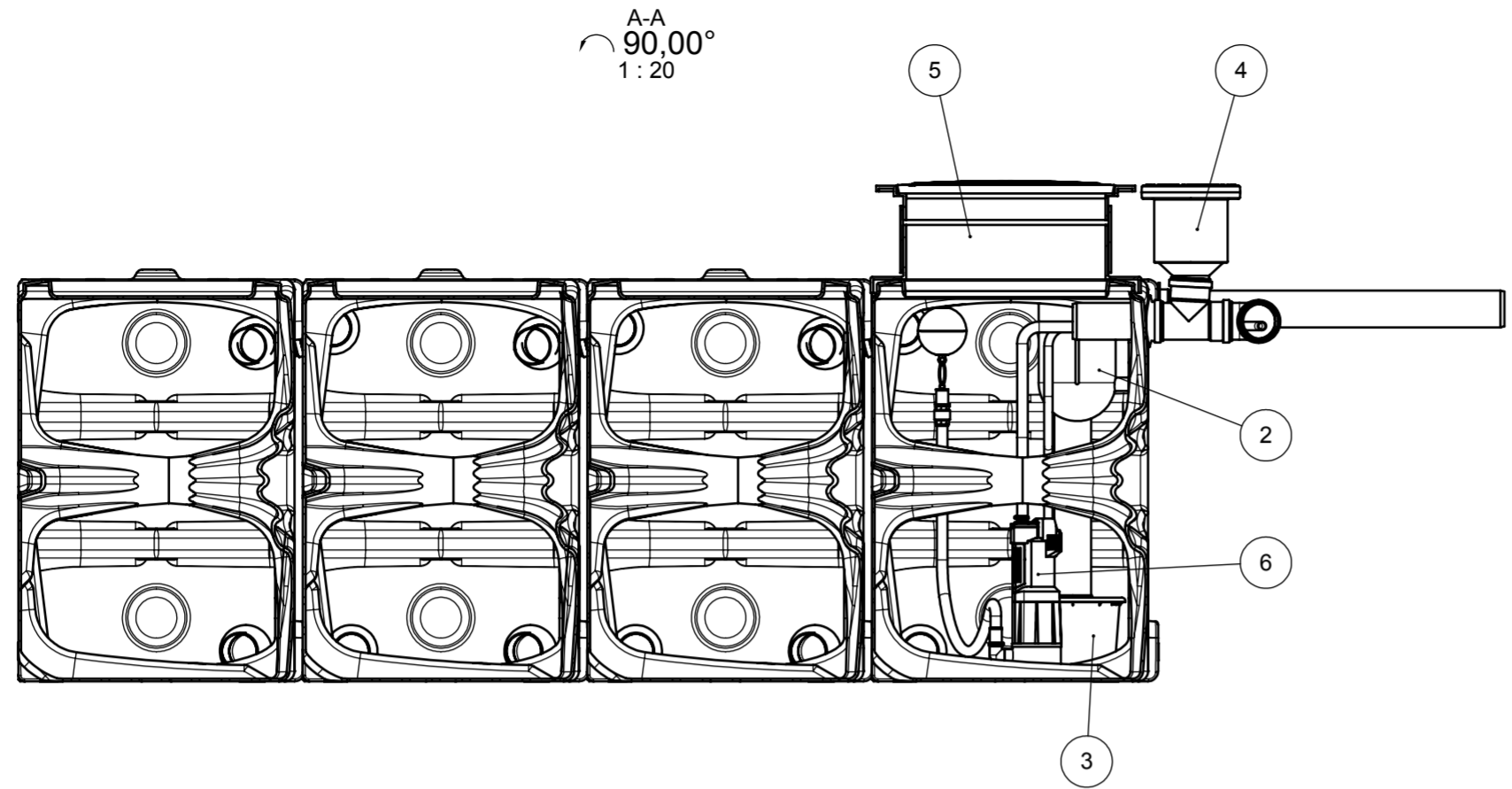
release date:
2017-05-09 15:51

sheet:
1/1

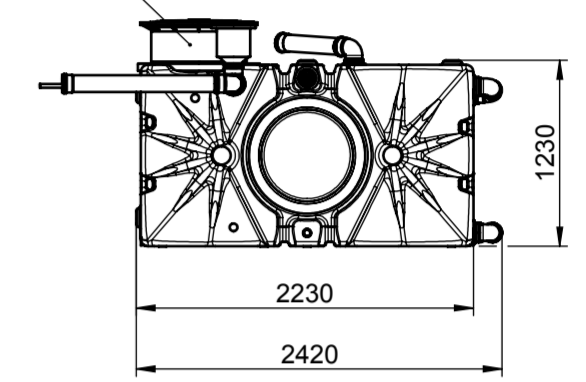
* The represented pipe sections are not included in scope of supply/
Dargestellte Verrohrung ist nicht im Lieferumfang enthalten

** Only roof gutter grid (34 pieces / 20 m approx.) is included in the scope of supply/
Gitterrost für Dachrinne (34 Stücke / 20 m ca.) im Lieferumfang enthalten

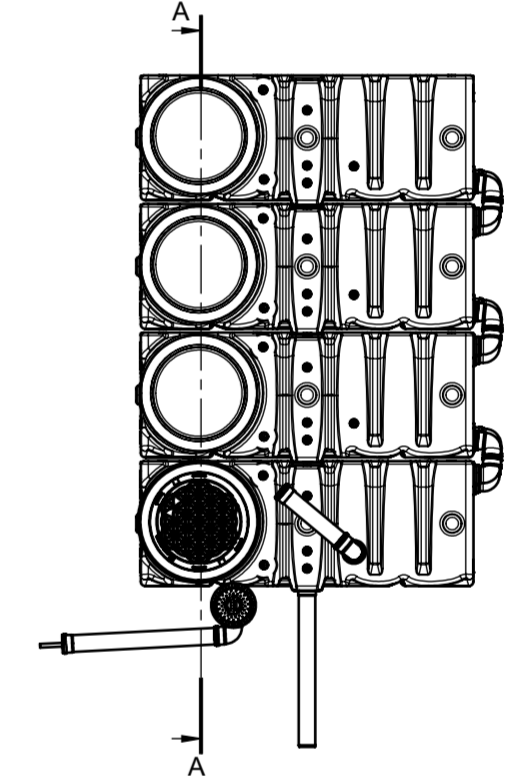
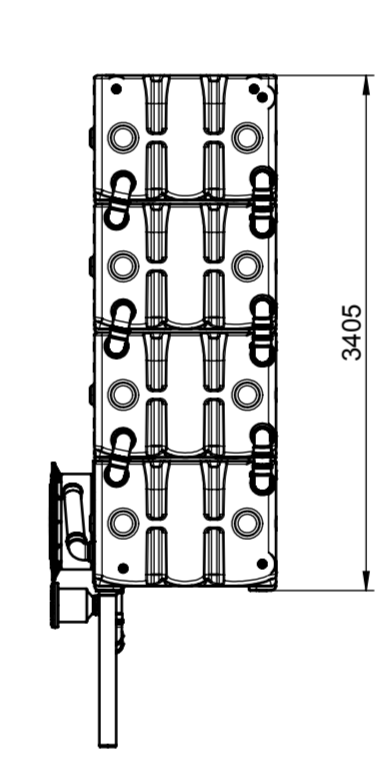
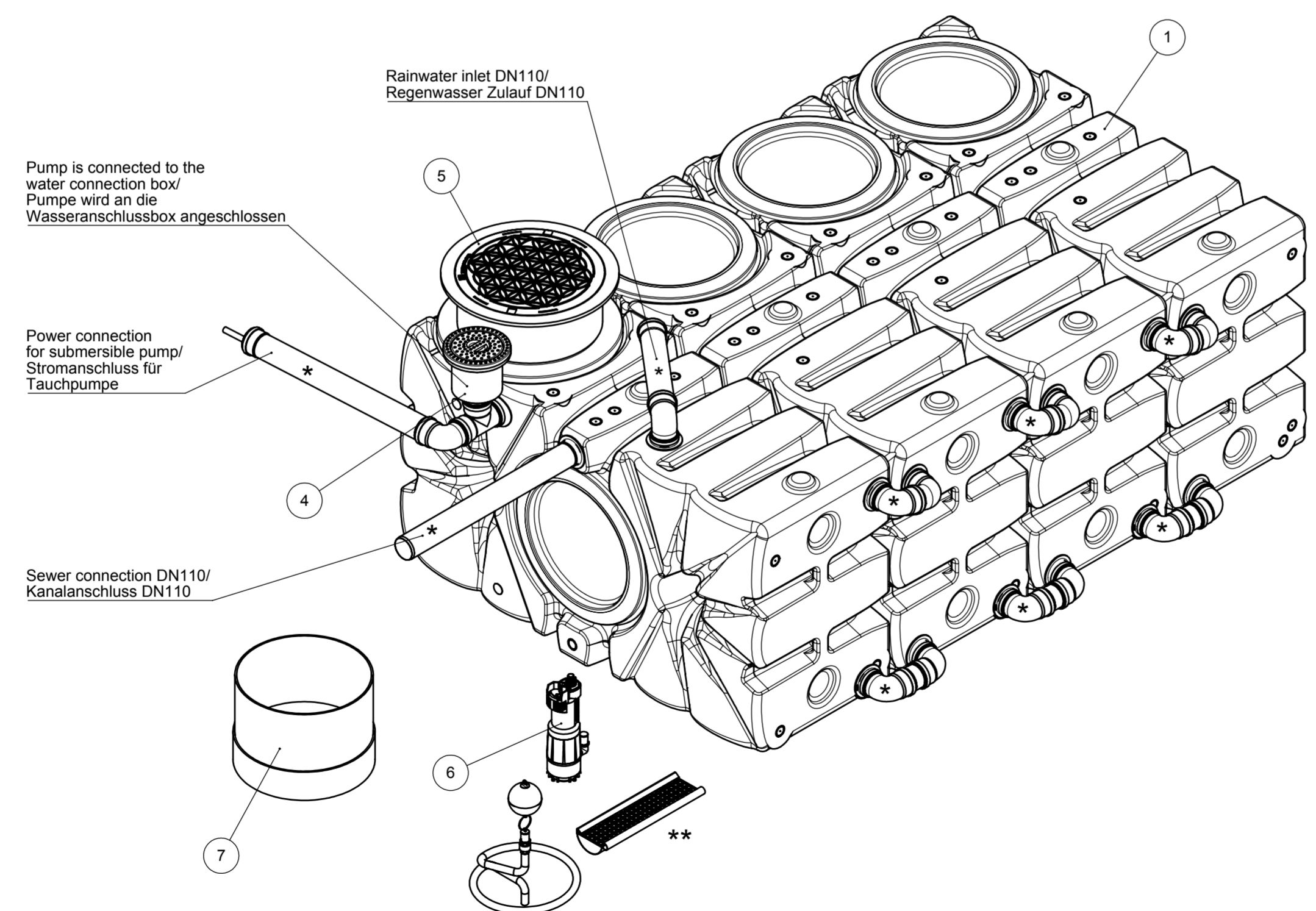
Pos.	Item name_Global	Item name_Local	Article No.	1028106/QTY.
1	Flat tank 8000l standing long side 3 extensions	Flachtank 8000l stehend lange Seite 3 Erweiterungen	103034	1
2	Overflow siphon with rhodent protection	Ueberlaufsisphon mit Tierschutz, gekuerzt	103201	1
3	Inlet flow turbulence reducer	Zulaufberuhiger	103211	1
4	Water connection box	Wasseranschlussbox	103206	1
5	Walkable cover, set standard	Begehbare Abdeckung, Set Standard	103100	1
6	Clean water pressure pump, set	Klarwasserdruckpumpe, Set	103151	1
7	Dome extension DN 600	Domverlaengerung DN 600	103103	1



Height adjustable from 400 to 435 mm/
Höhe einstellbar von 400 bis 435 mm



SCALE 1 : 20



* The represented pipe sections are not included in scope of supply/
Dargestellte Verrohrung ist nicht im Lieferumfang enthalten

** Only roof gutter grid (34 pieces / 20 m approx.) is included in the scope of supply/
Gitterrost für Dachrinne (34 Stücke / 20 m ca.) im Lieferumfang enthalten

DIN 110 pipe fittings used in installations/
DIN 110 Rohrverschraubungen werden in den Installationen verwendet.

local article number: 103618

ACO	ACO Hochbau Vertrieb GmbH 24755 Rendsburg, Postfach 320 Tel. +49 4331 354-410 Fax +49 4331 354-300 www.aco-hochbau.de	technical reference: Bartsch, Martin	drawing-no.: 1028106-M	index: 001	documenttype: marketing drw.
		created by: mbartsch	reviewed by: mbartsch	projection:ISO-E	scale: 1:50

title:
ACO Rain4me
Complete product garden plus flat tank 8000l standing long side 3 extensions
Komplettprodukt Garten plus Flachtank 8000l stehend lange Seite 3 Erweiterungen

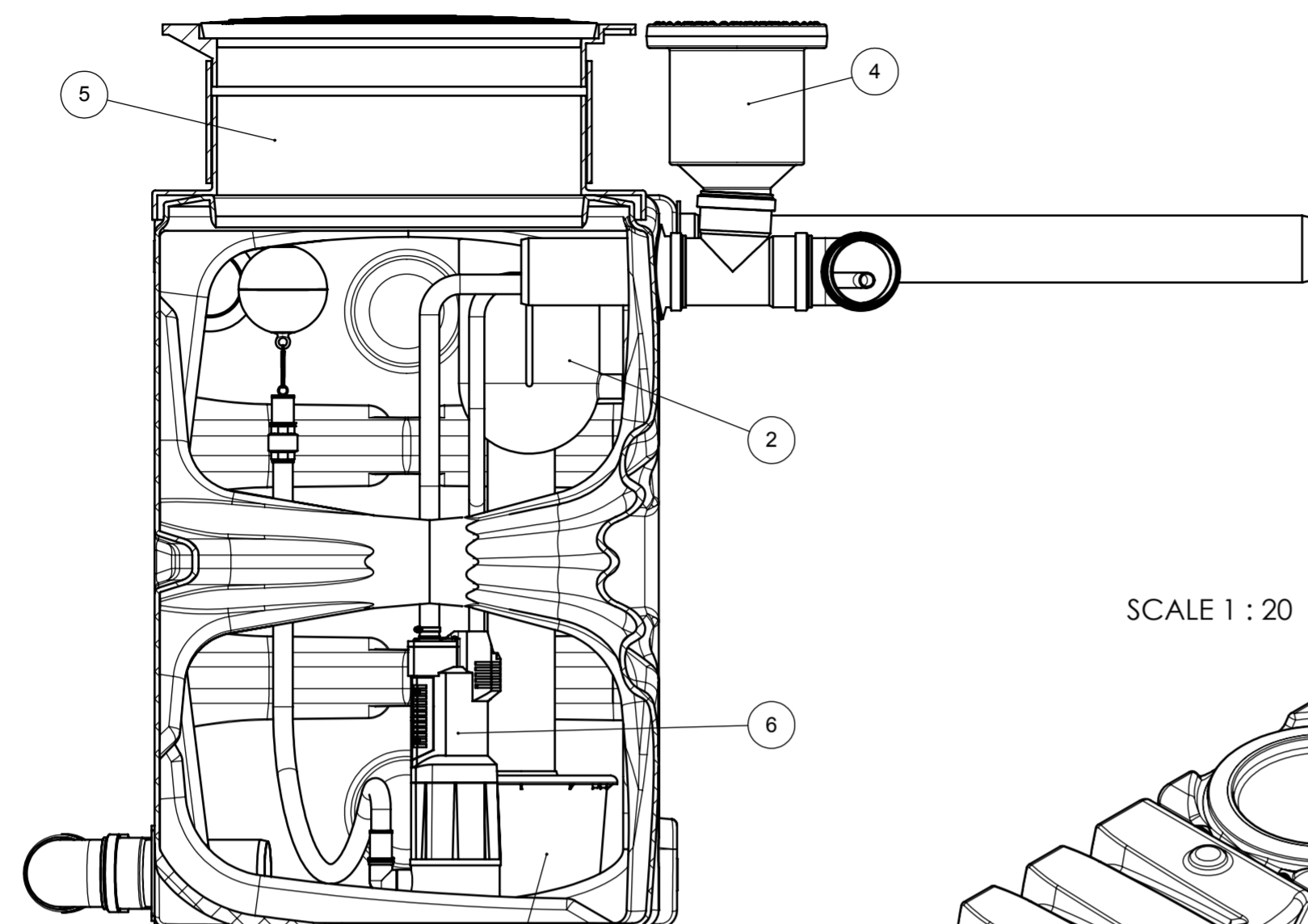
The reproduction, distribution and utilization of this document as well as the communication of its contents to others without express authorization is prohibited. Offenders will be held liable for the payment of damages. All rights reserved in the event of the grant of a patent, utility model or design. Observe copyright by ISO 16016

release date:
2017-05-09 16:32

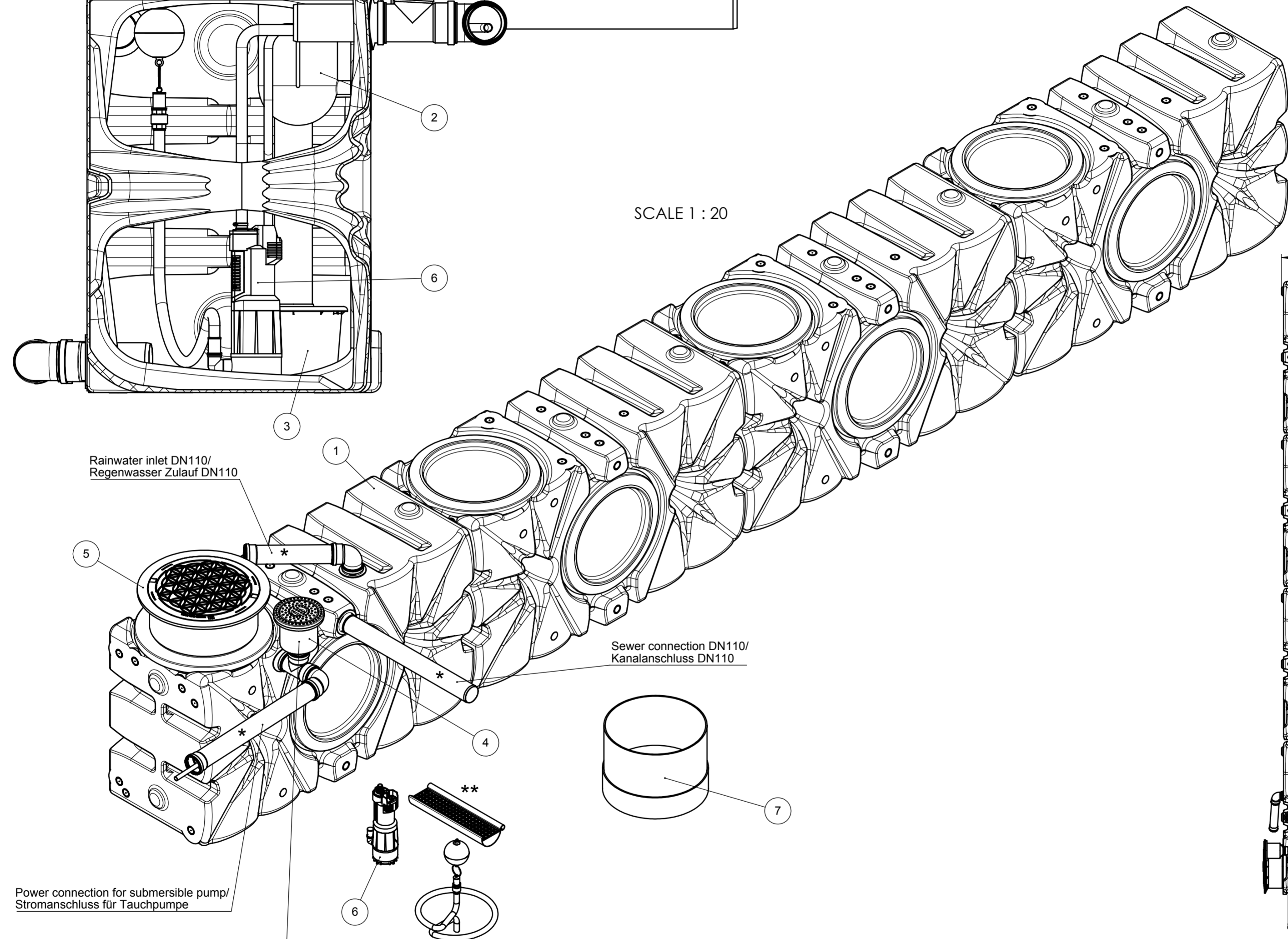
sheet:
1/1

serial-released

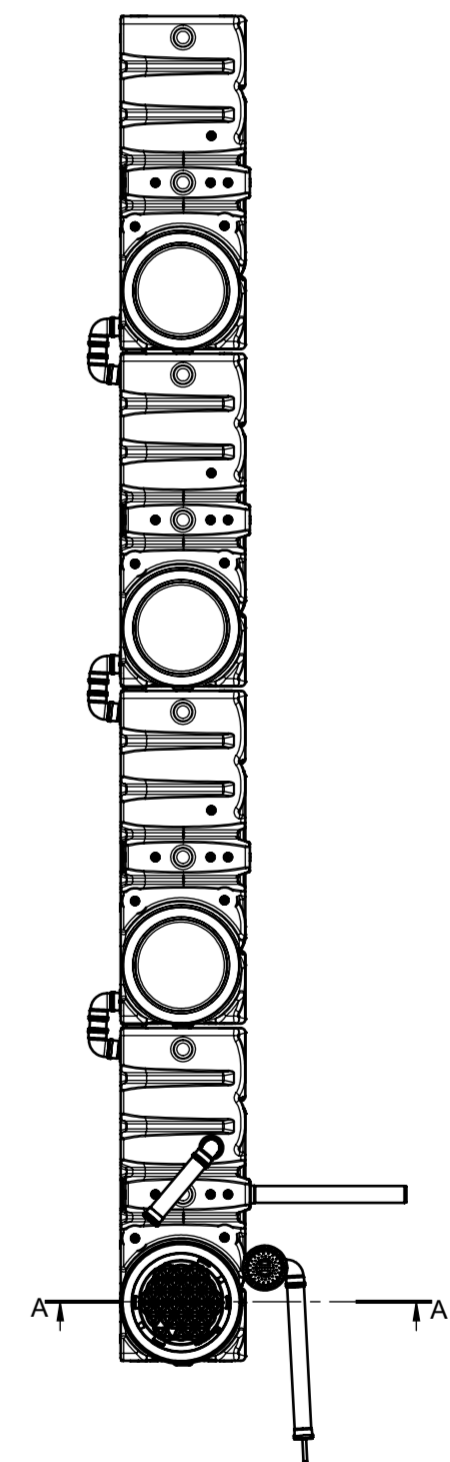
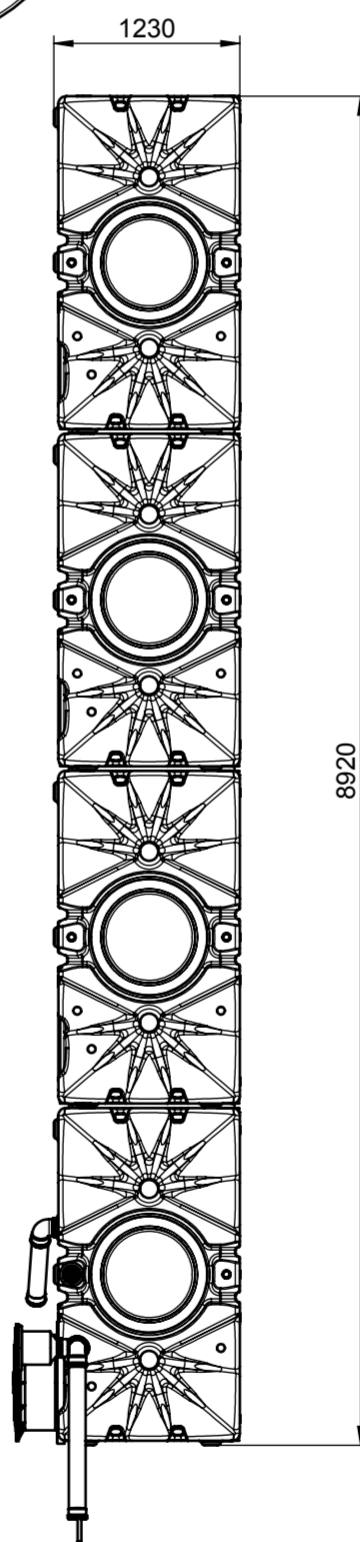
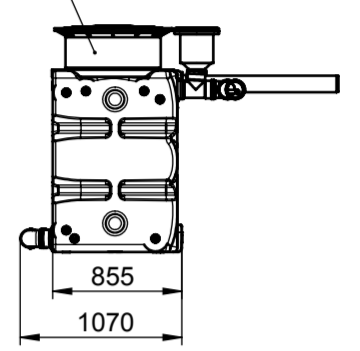
A-A
1:10



SCALE 1 : 20



Height adjustable from 400 to 435 mm/
Höhe einstellbar von 400 bis 435 mm



Rainwater inlet DN110/
Regenwasser Zulauf DN110

Sewer connection DN110/
Kanalschluss DN110

Power connection for submersible pump/
Stromanschluss für Tauchpumpe

Pump is connected to the water connection box/
Pumpe wird an die Wasseranschlussbox angeschlossen

Pos.	Item name_Global	Item name_Local	Article No.	1028136/QTY.
1	Flat tank 8000l standing short side 3 extensions	Flachtank 8000l stehend kurze Seite 3 Erweiterungen	103044	1
2	Overflow siphon with rodent protection	Ueberlaufsiphon mit Tierschutz, gekuerzt	103201	1
3	Inlet flow turbulence reducer	Zulaufberuhiger	103211	1
4	Water connection box	Wasseranschlussbox	103206	1
5	Walkable cover, set standard	Begehbare Abdeckung, Set Standard	103100	1
6	Clean water pressure pump, set	Klarwasserdruckpumpe, Set	103151	1
7	Dome extension DN 600	Domverlaengerung DN 600	103103	1

DIN 110 pipe fittings used in installations/
DIN 110 Rohrverschraubungen werden in den Installationen verwendet.

local article number: 103613

ACO	ACO Hochbau Vertrieb GmbH 24755 Rendsburg, Postfach 320 Tel. +49 4331 354-410 Fax +49 4331 354-300 www.aco-hochbau.de	technical reference: Bartsch, Martin	drawing-no.: 1028136-M	index: 001	documenttype: marketing drw.
		created by: mbartsch	reviewed by: mbartsch	projection:ISO-E	scale: 1:50

title:
ACO Rain4me
Complete product garden plus flat tank 8000l standing short side 3 extensions
Komplettprodukt Garten plus Flachtank 8000l stehend kurze Seite 3 Erweiterungen

The reproduction, distribution and utilization of this document as well as the communication of its contents to others without express authorization is prohibited. Offenders will be held liable for the payment of damages. All rights reserved in the event of the grant of a patent, utility model or design. Observe copyright by ISO 16016

release date:
2017-05-10 08:40

sheet:
1/1

* The represented pipe sections are not included in scope of supply/
Dargestellte Verrohrung ist nicht im Lieferumfang enthalten

** Only roof gutter grid (34 pieces / 20 m approx.) is included in the scope of supply/
Gitterrost für Dachrinne (34 Stücke / 20 m ca.) im Lieferumfang enthalten