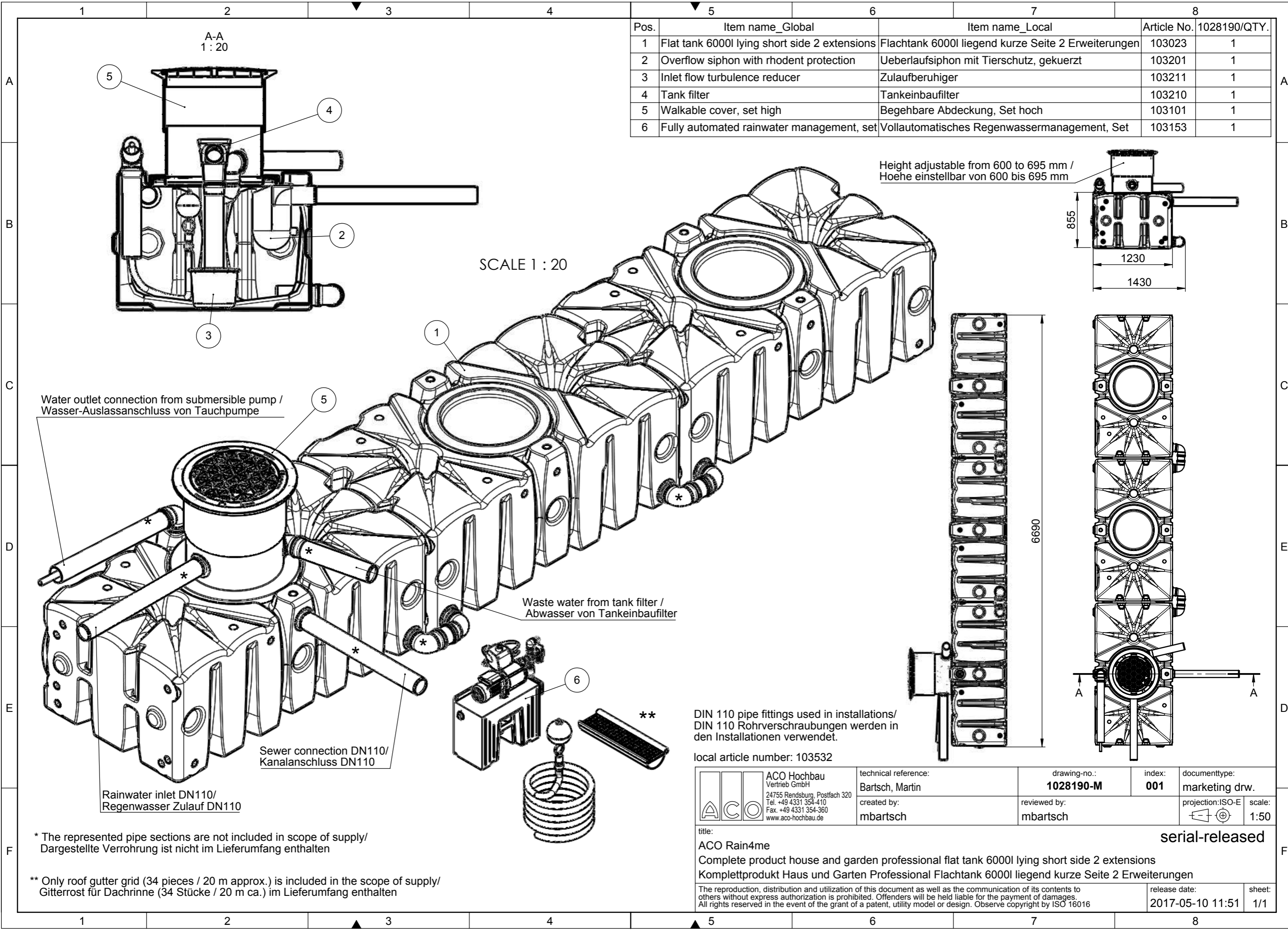


Pos.	Item name_Global	Item name_Local	Article No.	1028181/QTY.
1	Flat tank 6000l lying long side 2 extensions	Flachtank 6000l liegend lange Seite 2 Erweiterungen	103003	1
2	Overflow siphon with rhodent protection	Ueberlaufsiphon mit Tierschutz, gekuerzt	103201	1
3	Inlet flow turbulence reducer	Zulaufberuhiger	103211	1
4	Tank filter	Tankeinbaufilter	103210	1
5	Walkable cover, set high	Begehbare Abdeckung, Set hoch	103101	1
6	Fully automated rainwater management, set	Vollautomatisches Regenwassermanagement, Set	103153	1

	ACO Hochbau Vertrieb GmbH 24755 Rendsburg, Postfach 320 Tel. +49 4331 354-410 Fax. +49 4331 354-360 www.aco-hochbau.de	technical reference: Bartsch, Martin	drawing-no.: 1028181-M	index: 001	documenttype: marketing drw.
	created by: mbartsch	reviewed by: mbartsch	projection:ISO-E 	scale: 1:50	serial-released
title: ACO Rain4me Complete product house and garden professional flat tank 6000l lying long side 2 extensions Komplettprodukt Haus und Garten Professional Flachtank 6000l liegend lange Seite 2 Erweiterungen					
The reproduction, distribution and utilization of this document as well as the communication of its contents to others without express authorization is prohibited. Offenders will be held liable for the payment of damages. All rights reserved in the event of the grant of a patent, utility model or design. Observe copyright by ISO 16016					
				release date: 2017-05-10 11:43	sheet: 1/1

DIN 110 pipe fittings used in installations/
DIN 110 Rohrverschraubungen werden in den Installationen verwendet.



Pos.	Item name_Global	Item name_Local	Article No.	1028190/QTY.
1	Flat tank 6000l lying short side 2 extensions	Flachtank 6000l liegend kurze Seite 2 Erweiterungen	103023	1
2	Overflow siphon with rodent protection	Ueberlaufsisphon mit Tierschutz, gekuerzt	103201	1
3	Inlet flow turbulence reducer	Zulaufberuhiger	103211	1
4	Tank filter	Tankeinbaufilter	103210	1
5	Walkable cover, set high	Begehbare Abdeckung, Set hoch	103101	1
6	Fully automated rainwater management, set	Vollautomatisches Regenwassermanagement, Set	103153	1

SCALE 1 : 20

Height adjustable from 600 to 695 mm /
Hoehe einstellbar von 600 bis 695 mm

Water outlet connection from submersible pump /
Wasser-Auslassanschluss von Tauchpumpe

Waste water from tank filter /
Abwasser von Tankeinbaufilter

Sewer connection DN110/
Kanalanschluss DN110

Rainwater inlet DN110/
Regenwasser Zulauf DN110

DIN 110 pipe fittings used in installations/
DIN 110 Rohrverschraubungen werden in
den Installationen verwendet.

local article number: 103532

ACO ACO Hochbau
Vertrieb GmbH
24755 Rendsburg, Postfach 320
Tel. +49 4331 354-410
Fax. +49 4331 354-360
www.aco-hochbau.de

technical reference:
Bartsch, Martin
created by:
mbartsch

drawing-no.:
1028190-M
reviewed by:
mbartsch

index:
001
documenttype:
marketing drw.
projection:ISO-E scale:
1:50

title:
ACO Rain4me
Complete product house and garden professional flat tank 6000l lying short side 2 extensions
Komplettprodukt Haus und Garten Professional Flachtank 6000l liegend kurze Seite 2 Erweiterungen

serial-released

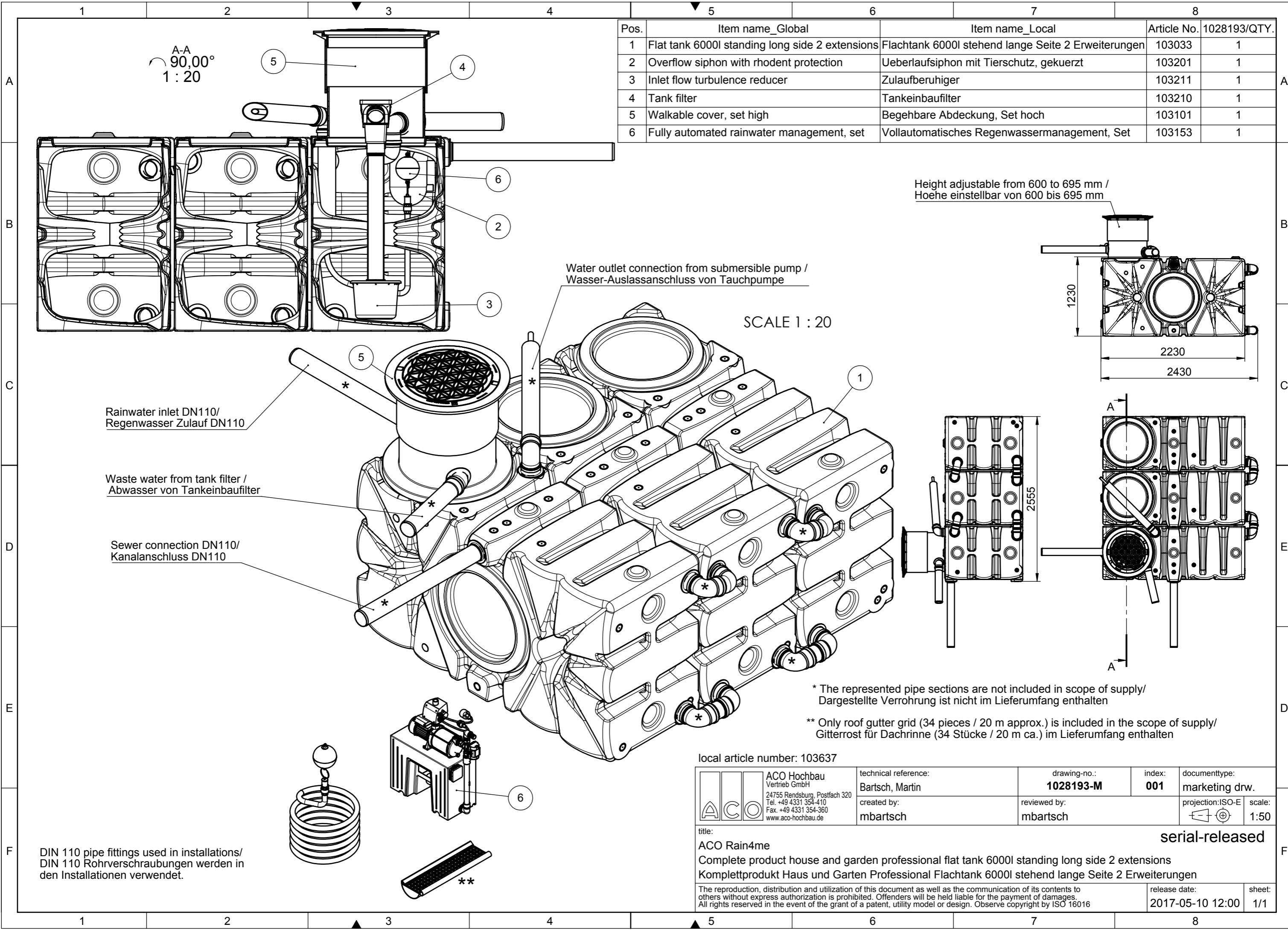
The reproduction, distribution and utilization of this document as well as the communication of its contents to others without express authorization is prohibited. Offenders will be held liable for the payment of damages. All rights reserved in the event of the grant of a patent, utility model or design. Observe copyright by ISO 16016

release date:
2017-05-10 11:51
sheet:
1/1

* The represented pipe sections are not included in scope of supply/
Dargestellte Verrohrung ist nicht im Lieferumfang enthalten

** Only roof gutter grid (34 pieces / 20 m approx.) is included in the scope of supply/
Gitterrost für Dachrinne (34 Stücke / 20 m ca.) im Lieferumfang enthalten

S:\projekte\2017\1028190-1\1028190-1.dwg



A-A
90,00°
1 : 20

Pos.	Item name_Global	Item name_Local	Article No.	1028193/QTY.
1	Flat tank 6000l standing long side 2 extensions	Flachtank 6000l stehend lange Seite 2 Erweiterungen	103033	1
2	Overflow siphon with rhodent protection	Ueberlaufsisphon mit Tierschutz, gekuerzt	103201	1
3	Inlet flow turbulence reducer	Zulaufberuhiger	103211	1
4	Tank filter	Tankeinbaufilter	103210	1
5	Walkable cover, set high	Begehbare Abdeckung, Set hoch	103101	1
6	Fully automated rainwater management, set	Vollautomatisches Regenwassermanagement, Set	103153	1

Height adjustable from 600 to 695 mm /
Hoehe einstellbar von 600 bis 695 mm

Water outlet connection from submersible pump /
Wasser-Auslassanschluss von Tauchpumpe

SCALE 1 : 20

Rainwater inlet DN110/
Regenwasser Zulauf DN110

Waste water from tank filter /
Abwasser von Tankeinbaufilter

Sewer connection DN110/
Kanalanschluss DN110

* The represented pipe sections are not included in scope of supply/
Dargestellte Verrohrung ist nicht im Lieferumfang enthalten

** Only roof gutter grid (34 pieces / 20 m approx.) is included in the scope of supply/
Gitterrost für Dachrinne (34 Stücke / 20 m ca.) im Lieferumfang enthalten

local article number: 103637

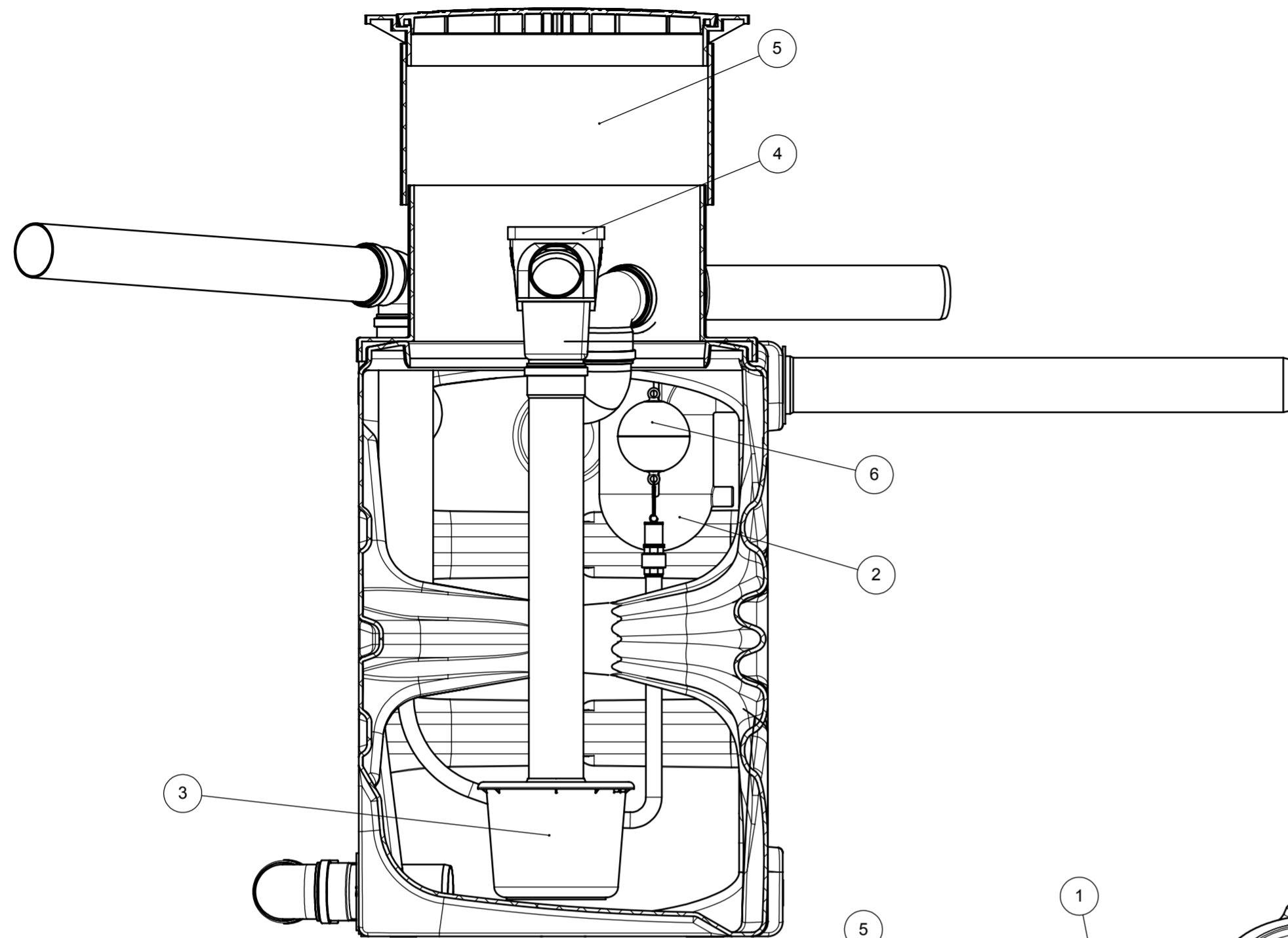
	ACO Hochbau Vertrieb GmbH 24755 Rendsburg, Postfach 320 Tel. +49 4331 354-410 Fax. +49 4331 354-360 www.aco-hochbau.de	technical reference: Bartsch, Martin	drawing-no.: 1028193-M	index: 001	documenttype: marketing drw.
	created by: mbartsch	reviewed by: mbartsch	projection:ISO-E 	scale: 1:50	serial-released
title: ACO Rain4me Complete product house and garden professional flat tank 6000l standing long side 2 extensions Komplettoprodukt Haus und Garten Professional Flachtank 6000l stehend lange Seite 2 Erweiterungen					
The reproduction, distribution and utilization of this document as well as the communication of its contents to others without express authorization is prohibited. Offenders will be held liable for the payment of damages. All rights reserved in the event of the grant of a patent, utility model or design. Observe copyright by ISO 16016			release date: 2017-05-10 12:00	sheet: 1/1	

DIN 110 pipe fittings used in installations/
DIN 110 Rohrverschraubungen werden in
den Installationen verwendet.

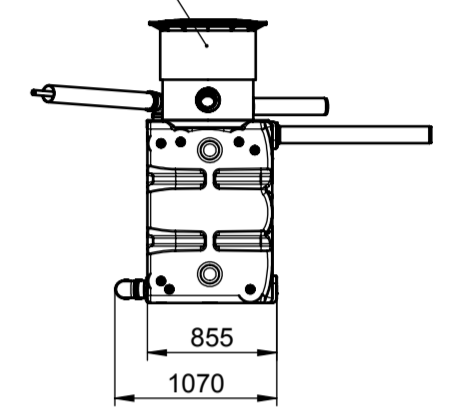
**

Pos.	Item name_Global	Item name_Local	Article No.	1028195/QTY.
1	Flat tank 6000l standing short side 2 extensions	Flachtank 6000l stehend kurze Seite 2 Erweiterungen	103043	1
2	Overflow siphon with rhodent protection	Ueberlaufsisphon mit Tierschutz, gekuerzt	103201	1
3	Inlet flow turbulence reducer	Zulaufberuhiger	103211	1
4	Tank filter	Tankeinbaufilter	103210	1
5	Walkable cover, set high	Begehbare Abdeckung, Set hoch	103101	1
6	Fully automated rainwater management, set	Vollautomatisches Regenwassermanagement, Set	103153	1

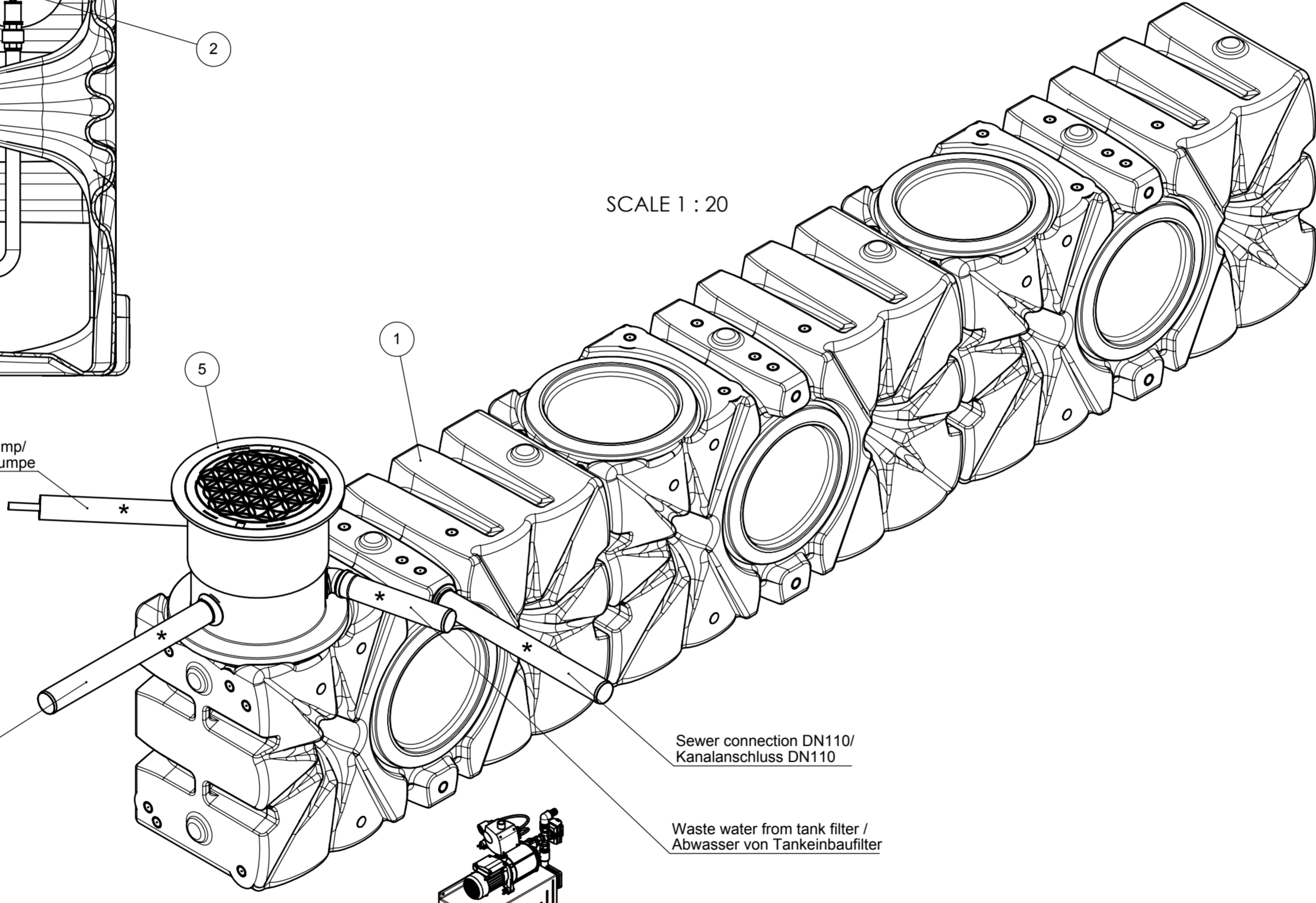
A-A
1:10



Height adjustable from 600 to 695 mm /
Hoehe einstellbar von 600 bis 695 mm



SCALE 1:20

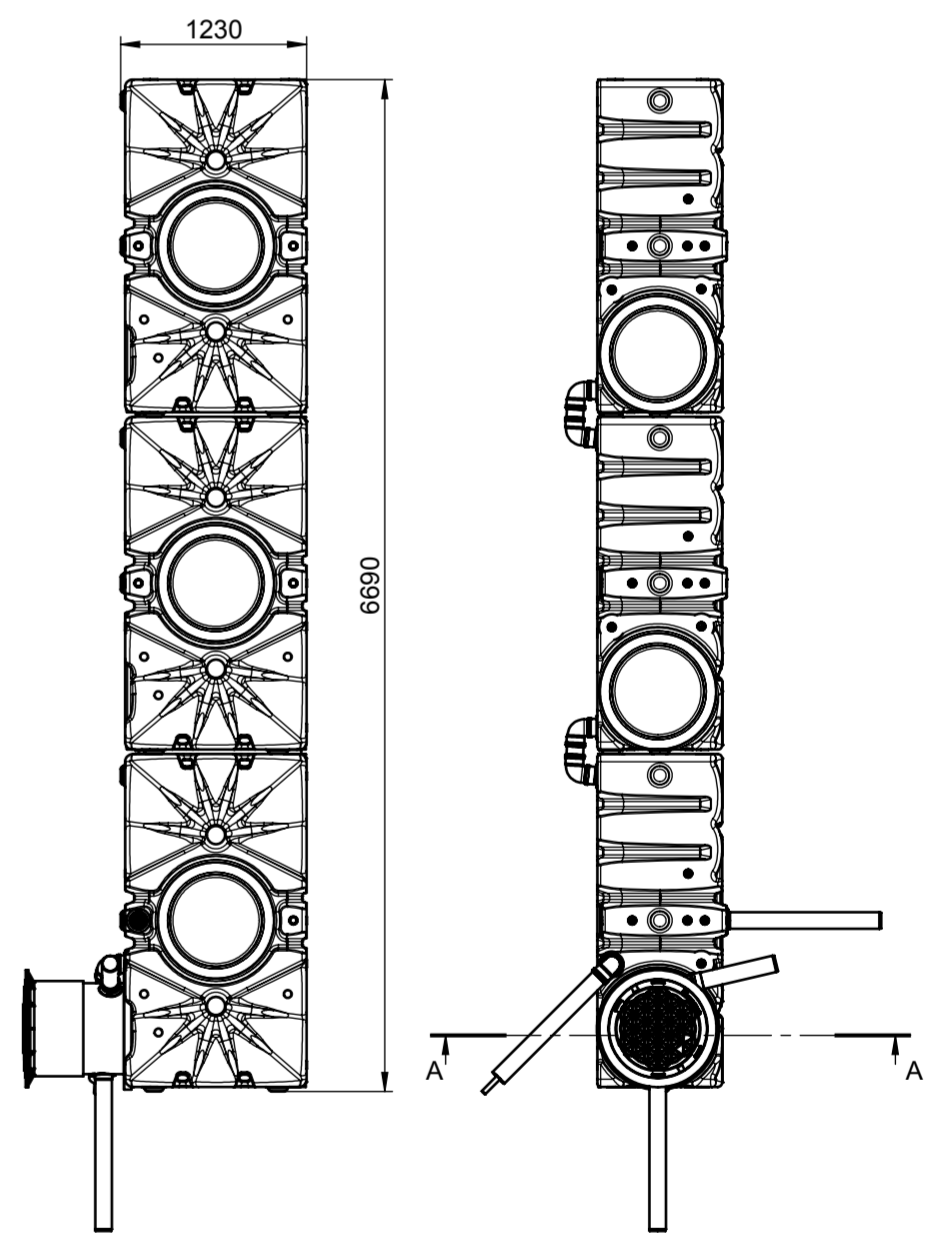


Power and water outlet connection from submersible pump/
Stromkabel und Wasser-Auslassanschluss von Tauchpumpe

Rainwater inlet DN110/
Regenwasser Zulauf DN110

Sewer connection DN110/
Kanalanschluss DN110

Waste water from tank filter /
Abwasser von Tankeinbaufilter



* The represented pipe sections are not included in scope of supply/
Dargestellte Verrohrung ist nicht im Lieferumfang enthalten

** Only roof gutter grid (34 pieces / 20 m approx.) is included in the scope of supply/
Gitterrost für Dachrinne (34 Stücke / 20 m ca.) im Lieferumfang enthalten

DIN 110 pipe fittings used in installations/
DIN 110 Rohrverschraubungen werden in den Installationen verwendet.

local article number: 103632

ACO ACO Hochbau Vertrieb GmbH 24755 Rendsburg, Postfach 320 Tel. +49 4331 354-410 Fax +49 4331 354-300 www.aco-hochbau.de	technical reference: Bartsch, Martin	drawing-no.: 1028195-M	index: 001	documenttype: marketing drw.
	created by: mbartsch	reviewed by: mbartsch	projection: ISO-E	scale: 1:50

title:
ACO Rain4me
Complete product house and garden professional flat tank 6000l standing short side 2 extensions
Komplettprodukt Haus und Garten Professional Flachtank 6000l stehend kurze Seite 2 Erweiterungen

The reproduction, distribution and utilization of this document as well as the communication of its contents to others without express authorization is prohibited. Offenders will be held liable for the payment of damages. All rights reserved in the event of the grant of a patent, utility model or design. Observe copyright by ISO 16016

release date:
2017-05-10 12:00

sheet:
1/1